

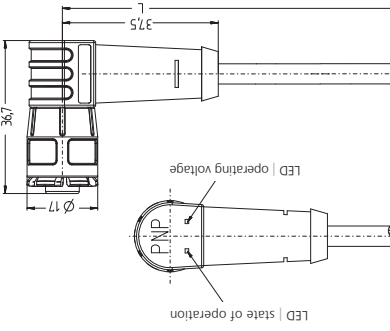
W: angled \curvearrowright without: straight \dashv
 Quick-turn connection

Round connector M12x1 | WAK: female



Product line	Version	Cable quality	Type-designation	2m	5m	Cable length L
SV_M12x1	f \dashv	PUR S370 $\text{\textcircled{R}}$	SV-WAK3-L/S370	8052092	8052093	8052094
			SV-WAK4-L/S370	8052095	8052097	8052098
		4+PE	SV-WAK5-L/S370	8052099	8052100	8045149
			SV-WAK3-L/P00	8052152	8052153	8052154
		4	SV-WAK4-L/P00	8039816	8038584	8039896
	f \curvearrowright	PUR S370 $\text{\textcircled{R}}$	SV-WAK5-L/P00	8052193	8052194	8041337
			SV-WWAK3-L/S370	8052190	8050532	8052191
		4	SV-WWAK4-L/S370	8048009	8048010	8048011
		4+PE	SV-WWAK5-L/S370	8052105	8052106	8052107
			SV-WWAK3-L/P00	8052196	8041334	8041335
4	SV-WWAK4-L/P00	8039817	8039818	8039897		
f \curvearrowright LED 2	PUR S370 $\text{\textcircled{R}}$	SV-WWAK5-L/P00	8052155	8052156	8052157	
		SV-WWAK3P2-L/S370	8052108	8052109	8052110	
	PVC P00	SV-WWAK3P2-L/P00	8052158	8052159	8052160	

Other versions and cable-lengths are available upon request.

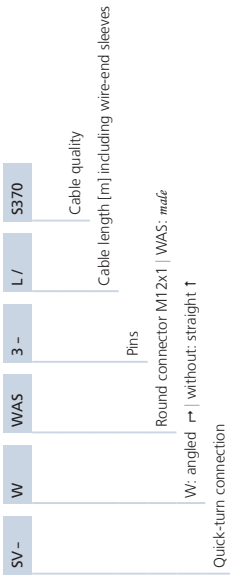


Quick-turn connection S12x1 female + female LED

Technical data	Pin	Value
Rated voltage [U _{max}]	3, 4	250V
	4+PE	60V
LED-version		24Vdc
Current load [I _{max}]	3, 4, 4+PE	4A
Insulation resistance		$\geq 10^8 \Omega$
Standards		according to IEC61076-2-101
Materials	Grip	TPU, BU LED-version: TPU, transparent
	Contact carriers	TPU, BK
	Sealing	FPM/FKM
	Contacts	CuZn, gold-plated
	Locking mechanism	POM
Ambient temperature		-30°C...+80°C
Degree of pollution		3
Protection class (installed)		IP67
Mechanical life cycle		>50 mating cycles

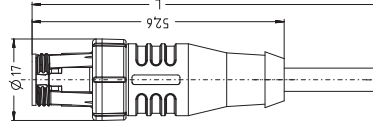
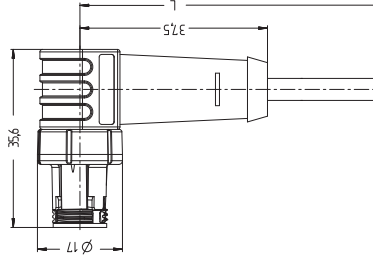
Coding A female	3 pins	4 pins	4 pins+PE
	1BN 3BU 4BK	1BN 2WH 3BU 4BK	1BN 2WH 3BU 4BK 5GN/YE

LED-version	3P2
	1 \curvearrowright BN 4 \curvearrowright BK 3 \curvearrowright GN/VE RIU



Product line	Version	Cable quality	Type-designation	Cable length L		
				5m	10m	10m
SV_M12x1	m T	PUR S370	SV-WAS3-L/S370	8052111	8052112	8052113
			SV-WAS4-L/S370	8052114	8052115	8052116
		PVC P00	SV-WAS5-L/S370	8052117	8052118	8052119
			SV-WAS3-L/P00	8052161	8052162	8052163
	m T	PUR S370	SV-WAS4-L/P00	8052164	8042592	8052165
			SV-WAS5-L/P00	8052166	8052167	8052168
		PVC P00	SV-WWAS3-L/S370	8052120	8052121	8052122
			SV-WWAS4-L/S370	8052123	8052124	8052125
		PVC P00	SV-WWAS5-L/S370	8052126	8052127	8052128
			SV-WWAS3-L/P00	8052169	8052170	8052171
4+PE	SV-WWAS4-L/P00	8052172	8052173	8052174		
	SV-WWAS5-L/P00	8052175	8052176	8052177		

Other versions and cable-lengths are available upon request.

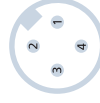


Quick-turn connection S12x1 male

Technical data	Pins	Value
Rated voltage [U _{max}]	3, 4	250V
	4+PE	60V
Current load [I _{max}]	3, 4, 4+PE	4A
Insulation resistance		≥ 10 ⁸ Ω
Standards		according to IEC 61076-2-101
Materials	Grip	TPU, BU
	Contact carrier	TPU, BK
	Contacts	CuZn, gold-plated
	Locking mechanism	POM
Ambient temperature		-30°C...+80°C
Degree of pollution		3
Protection class (installed)		IP67
Mechanical life cycle		>50 mating cycles
Coding A male	3 pins	
	4 pins	
	4 pins+PE	



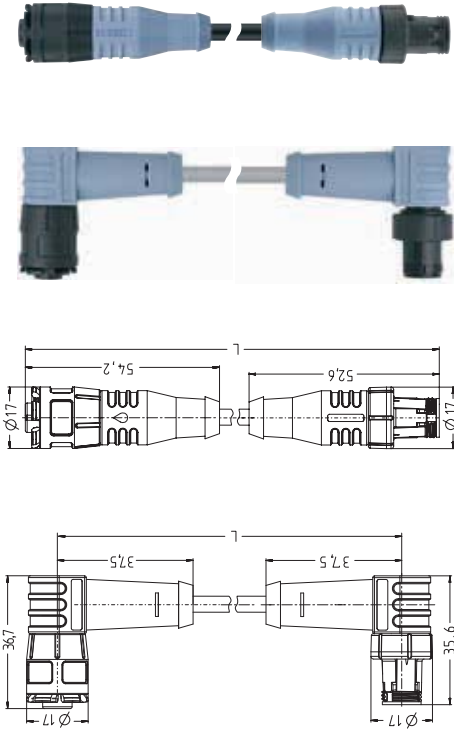
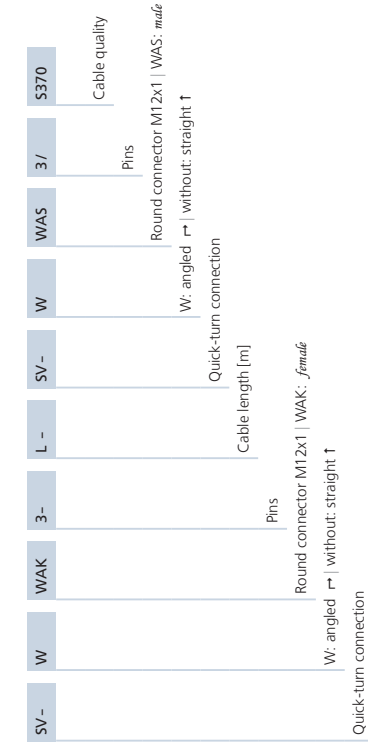
1BN | 3BU | 4BK



1BN | 2WH | 3BU | 4BK



1BN | 2WH | 3BU | 4BK | 5GN/VE



Product line	Version	Cable quality	Pins	Type - designation	Cable length L		
					1m	5m	
SV_M12x1	f \uparrow _ m \uparrow	PUR S370	3	SV-WAK3-L-SV-WAS3/S370	8052129	8052130	8052131
			4	SV-WAK4-L-SV-WAS4/S370	8052132	8052133	8052134
			4+PE	SV-WAK5-L-SV-WAS5/S370	8052135	8052136	8052137
			3	SV-WAK3-L-SV-WAS3/P00	8041340	8041341	8041342
			4	SV-WAK4-L-SV-WAS4/P00	8046120	8047582	8040520
	f \uparrow _ m \uparrow	PUR S370	4+PE	SV-WAK5-L-SV-WAS5/P00	8052178	8052179	8052180
			3	SV-WWAK3-L-SV-WWAS3/S370	8052138	8052139	8052140
			4	SV-WWAK4-L-SV-WWAS4/S370	8052141	8052142	8052143
			4+PE	SV-WWAK5-L-SV-WWAS5/S370	8052144	8052145	8052146
			3	SV-WWAK3-L-SV-WWAS3/P00	8052181	8052182	8052183
		PVC P00	4	SV-WWAK4-L-SV-WWAS4/P00	8052184	8052185	8052186
			4+PE	SV-WWAK5-L-SV-WWAS5/P00	8052187	8052188	8052189

Other versions and cable-lengths are available upon request.

Quick-turn connection S12x1 | cord sets double ended

Technical data	Value
Rated voltage [Umax]	3, 4 250V 60V
Current load [Imax]	3, 4, 4+PE 4A
Insulation resistance	$\geq 10^8 \Omega$
Standards	according to IEC 61076-2-101
Materials	Grip TPU, BU Contact carrier TPU, BK Sealing (female) PPM/FKM Contacts CuZn, gold-plated Locking mechanism POM
Ambient temperature	-30°C... +80°C
Degree of pollution	3
Protection class (installed)	IP67
Mechanical life cycle	>50 mating cycles

