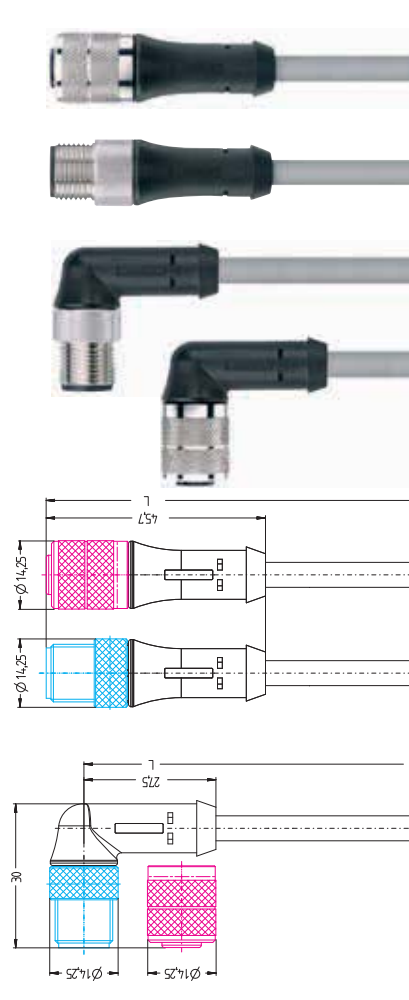


Product line	Version	Cable quality	Pins	Type - designation	2m	5m	10m
BL_M12x1	f   ↑	PVC   P00	3	BL-WAK3-L/P00	8048554	8047903	8048483
			4	BL-WAK4-L/P00	8048555	8047904	8048484
	f   ↑	PVC   P00	5	BL-WAK4.5-L/P00	8048742	8047906	8048743
			3	BL-WAK3-L/P01	8050937	8050938	8050939
			4	BL-WAK4-L/P01	8050941	8050940	8050942
m   ↑	PVC   P00	5	BL-WAK4.5-L/P01	8050946	8050947	8050948	
		3	BL-WWAK3-L/P00	8050793	8047908	8050794	
	PVC   P01	4	BL-WWAK4-L/P00	8050298	8047909	8050536	
		5	BL-WWAK4.5-L/P00	8050799	8047911	8050803	
		3	BL-WWAK3-L/P01	8050952	8050953	8050954	
m   ↑	PVC   P00	4	BL-WWAK4-L/P01	8050955	8050956	8050957	
		5	BL-WWAK4.5-L/P01	8050961	8050962	8050963	
	PVC   P01	3	BL-WAS3-L/P00	8050815	8047913	8050818	
		4	BL-WAS4-L/P00	8050821	8047914	8050823	
		5	BL-WAS4.5-L/P00	8050311	8047916	8050831	
m   ↑	PVC   P01	3	BL-WAS3-L/P01	8050931	8050932	8050933	
		4	BL-WAS4-L/P01	8050934	8050935	8050936	
	PVC   P00	5	BL-WAS4.5-L/P01	8050970	8050971	8050972	
		3	BL-WWAS3-L/P00	8050837	8047918	8050839	
		4	BL-WWAS4-L/P00	8050297	8047919	8050840	
PVC   P01	5	BL-WWAS4.5-L/P00	8050864	8047921	8050867		
	3	BL-WWAS3-L/P01	8050976	8050977	8050978		
	4	BL-WWAS4-L/P01	8050979	8050980	8050981		
	5	BL-WWAS4.5-L/P01	8050985	8050986	8050987		

Other versions, cable-lengths or cable terminals converted with wire-end sleeves are available upon request.

base\*Line **PVC** | M12x1



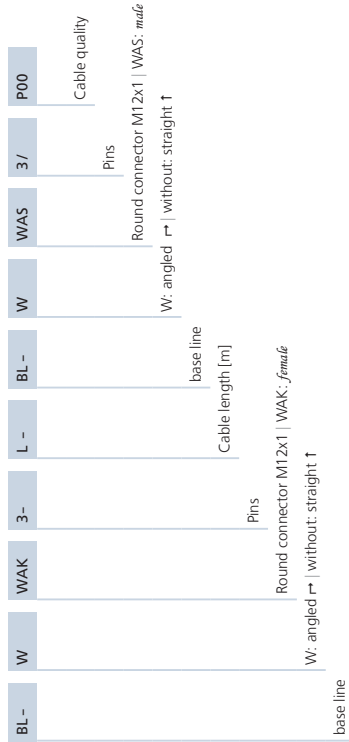
Technical data	Pins	Value
Rated voltage [Umax]	3, 4	250V
	5	60V
Current load [Imax]	3, 4, 5	4A
Insulation resistance		≥ 10 <sup>8</sup> Ω
Standards		IEC61076-2-101
Materials	Grip	TPU, BK
	Contact carriers	TPU, BK
	Sealing (female)	FPM/FKM
	Contacts (female)	CuSn, gold-plated
	Contacts (male)	CuZn, gold-plated
Locking mechanism		CuZn, nickel-plated
Ambient temperature		-30 °C...+90 °C
Degree of pollution	3	
Protection class (installed)		IP67, IP69K
Mechanical life cycle		>100 mating cycles

Coding A	3 pins   female	3 pins   male	4 pins   female	4 pins   male	5 pins   female	5 pins   male

1BN | 3BU | 4BK

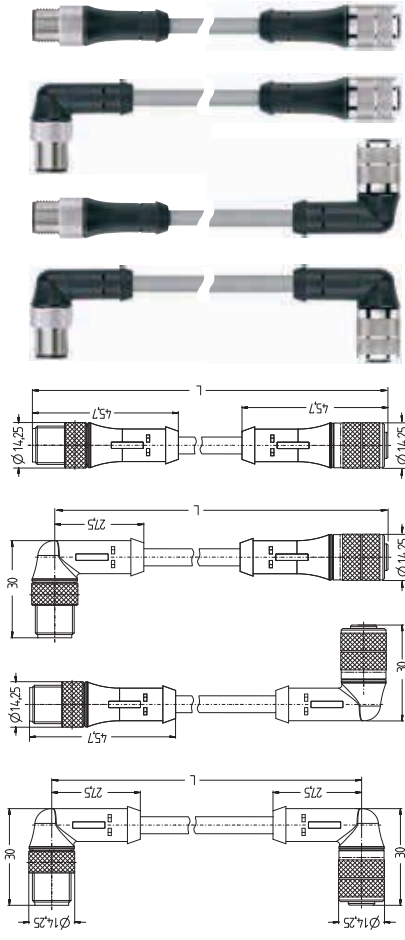
1BN | 2WH | 3BU | 4BK

1BN | 2WH | 3BU | 4BK | 5GY



Product line	Version	Cable quality	Pins	Type - designation	Cable length L		
					1m	2m	5m
BL_M12x1	$f   \curvearrowright \_ m   \uparrow$	PVC P00	3	BL-WAK3-L-BL-WAS3/P00	8052016	8050870	8047923
			4	BL-WAK4-L-BL-WAS4/P00	8052017	8050871	8047924
			5	BL-WAK4.5-L-BL-WAS4.5/P00	8052018	8048906	8047925
			3	BL-WAK3-L-BL-WAS3/P01	8052030	8050992	8050993
			4	BL-WAK4-L-BL-WAS4/P01	8052031	8050995	8050996
$f   \uparrow \_ m   \curvearrowright$		PVC P00	3	BL-WAK4.5-L-BL-WAS4.5/P01	8052033	8050998	8050999
			3	BL-WAK3-L-BL-WAS3/P00	8052022	8050892	8047929
			4	BL-WAK4-L-BL-WAS4/P00	8052023	8050894	8047930
			5	BL-WAK4.5-L-BL-WAS4.5/P00	8052024	8050896	8047931
			3	BL-WAK3-L-BL-WAS3/P01	8052038	8051010	8051011
$f   \uparrow \_ m   \uparrow$		PVC P01	4	BL-WAK4-L-BL-WAS4/P01	8052039	8051013	8051014
			5	BL-WAK4.5-L-BL-WAS4.5/P01	8052040	8051016	8051017
		PVC P00	3	BL-WWAK3-L-BL-WAS3/P00	8052025	8047957	8047932
			4	BL-WWAK4-L-BL-WAS4/P00	8052026	8050903	8047933
			5	BL-WWAK4.5-L-BL-WAS4.5/P00	8052029	8050911	8047934
$f   \curvearrowright \_ m   \curvearrowright$		PVC P01	3	BL-WWAK3-L-BL-WAS3/P01	8052041	8051019	8051020
			4	BL-WWAK4-L-BL-WAS4/P01	8052042	8051022	8051023
			5	BL-WWAK4.5-L-BL-WAS4.5/P01	8052043	8051025	8051026
		PVC P00	3	BL-WWAK3-L-BL-WAS3/P00	8052019	8050886	8047926
			4	BL-WWAK4-L-BL-WAS4/P00	8052020	8050888	8047927
$f   \uparrow \_ m   \uparrow$		PVC P01	5	BL-WWAK4.5-L-BL-WAS4.5/P00	8052021	8050890	8047928
			3	BL-WWAK3-L-BL-WAS3/P01	8052034	8051001	8051002
			4	BL-WWAK4-L-BL-WAS4/P01	8052035	8051004	8051005
			5	BL-WWAK4.5-L-BL-WAS4.5/P01	8052036	8051007	8051008

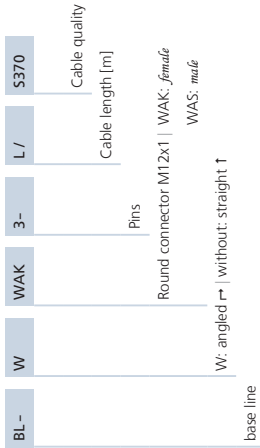
Other versions and cable-lengths are available upon request.



base<sup>LINE</sup> **PVC M12x1 cord sets double ended**

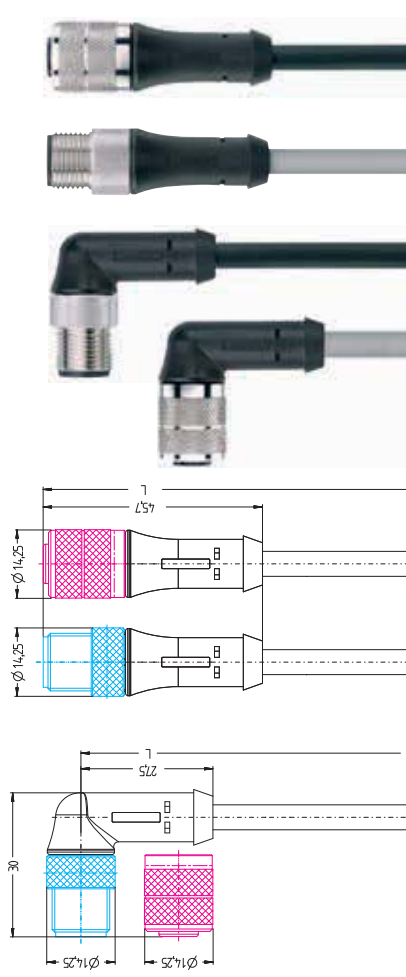
Technical data	Pins	Value
Rated voltage [U <sub>max</sub> ]	3, 4	250V
	5	60V
Current load [I <sub>max</sub> ]	3, 4, 5	4A
Insulation resistance		≥ 10 <sup>8</sup> Ω
Standards		IEC61076-2-101
Materials	Grip	TPU, BK
	Contact carrier	TPU, BK
	Sealing ( <i>female</i> )	PPMFKM
	Contacts ( <i>female</i> )	CuSn, gold-plated
	Contacts ( <i>male</i> )	CuZn, gold-plated
	Locking mechanism	CuZn, nickel-plated
Ambient temperature		-30°C... +90°C
Degree of pollution		3
Protection class (installed)		IP67, IP69K
Mechanical life cycle		>100 mating cycles

Coding A	3 pins   <i>female</i>	3 pins   <i>male</i>	4 pins   <i>female</i>	4 pins   <i>male</i>	5 pins   <i>female</i>	5 pins   <i>male</i>
	1BN   3BU   4BK		1BN   2WH   3BU   4BK		1BN   2WH   3BU   4BK   5CY	



Product line	Version	Cable quality	Pins	Type-designation	Cable length L		
					2m	5m	10m
BL-M12x1	f   ↑	PUR   S370	3	BL-WAK3-L / S370	8047935	8047871	8048461
			4	BL-WAK4-L / S370	8048462	8047872	8048463
		5	BL-WAK4.5-L / S370	8048467	8047874	8048468	
		3	BL-WAK3-L / S370GY	8058625	8058626	8058627	
		4	BL-WAK4-L / S370GY	8058718	8058719	8058720	
	f   ↑	PUR   S370	3	BL-WWAK3-L / S370	8050702	8047876	8050703
			4	BL-WWAK4-L / S370	8050704	8047877	8050537
		5	BL-WWAK4.5-L / S370	8050709	8047879	8050710	
		3	BL-WWAK3-L / S370GY	8058739	8058740	8058741	
		4	BL-WWAK4-L / S370GY	8058742	8058743	8058744	
m   ↑	PUR   S370	3	BL-WAS3-L / S370	8048464	8047881	8048465	
		4	BL-WAS4-L / S370	8048173	8047882	8048466	
	5	BL-WAS4.5-L / S370	8048469	8047884	8048470		
	3	BL-WAS3-L / S370GY	8058745	8058785	8058786		
	4	BL-WAS4-L / S370GY	8058748	8058749	8058750		
m   ↑	PUR   S370	3	BL-WWAS3-L / S370	8050717	8047886	8050718	
		4	BL-WWAS4-L / S370	8050719	8047887	8050720	
	5	BL-WWAS4.5-L / S370	8050723	8047889	8050724		
	3	BL-WWAS3-L / S370GY	8058751	8058752	8058753		
	4	BL-WWAS4-L / S370GY	8058754	8058755	8058756		

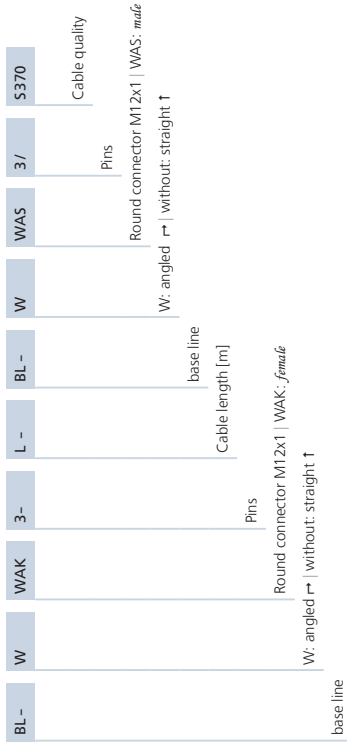
Other versions, cable-lengths or cable terminals converted with wire-end sleeves are available upon request



baseLine PUR M12x1

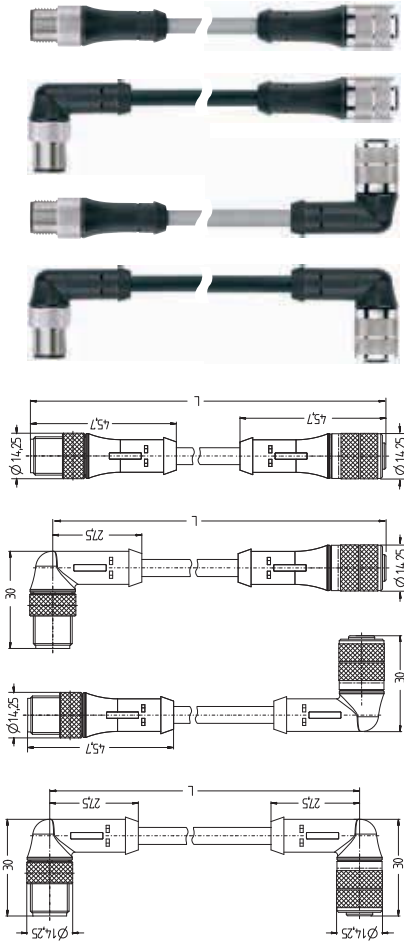
Technical data	Pins	Value
Rated voltage [Umax]	3, 4	250V
	5	60V
Current load [Imax]	3, 4, 5	4A
Insulation resistance		≥ 10 <sup>8</sup> Ω
Standards		IEC61076-2-101
Materials	Grip	TPU, BK
	Contact carriers	TPU, BK
	Sealing (female)	FPMPFKM
	Contacts (female)	CuSn, gold-plated
	Contacts (male)	CuZn, gold-plated
	Locking mechanism	CuZn, nickel-plated
Ambient temperature		-30 °C...+90 °C
Degree of pollution	3	
Protection class (installed)		IP67, IP69K
Mechanical life cycle		>100 mating cycles

Coding A	3 pins   female	3 pins   male	4 pins   female	4 pins   male	5 pins   female	5 pins   male
	1BN   3BU   4BK		1BN   2WH   3BU   4BK		1BN   2WH   3BU   4BK   5GY	



Product line	Version	Cable quality	Pins	Type - designation	Cable length L		
					1 m	2 m	5 m
BL_M12x1	f   ↗   _ m   ↑	PUR   S370 ®	3	BL-WAK3-L-BL-WAS3/S370	8052002	8047937	8047798
			4	BL-WAK4-L-BL-WAS4/S370	8052003	8050728	8047892
			5	BL-WAK4.5-L-BL-WAS4.5/S370	8052005	8050136	8047893
			3	BL-WAK3-L-BL-WAS3/S370GY	8058721	8058722	8058723
			4	BL-WAK4-L-BL-WAS4/S370GY	8058757	8058758	8058759
	f   ↑   _ m   ↗	PUR   S370 ®	3	BL-WAK3-L-BL-WWAS3/S370	8052009	8050736	8047897
			4	BL-WAK4-L-BL-WWAS4/S370	8052010	8050738	8047898
			5	BL-WAK4.5-L-BL-WWAS4.5/S370	8052011	8050740	8047899
			3	BL-WAK3-L-BL-WWAS3/S370GY	8058760	8058761	8058762
			4	BL-WAK4-L-BL-WWAS4/S370GY	8058763	8058764	8058765
	f   ↗   _ m   ↑	PUR   S370 ®	3	BL-WWAK3-L-BL-WAS3/S370	8052012	8050742	8047900
			4	BL-WWAK4-L-BL-WAS4/S370	8052013	8050744	8047901
			5	BL-WWAK4.5-L-BL-WAS4.5/S370	8052014	8050746	8047902
			3	BL-WWAK3-L-BL-WAS3/S370GY	8058766	8058813	8058814
			4	BL-WWAK4-L-BL-WAS4/S370GY	8058767	8058768	8058769
	f   ↗   _ m   ↗	PUR   S370 ®	3	BL-WWAK3-L-BL-WWAS3/S370	8052006	8050730	8047894
			4	BL-WWAK4-L-BL-WWAS4/S370	8052007	8050732	8047895
			5	BL-WWAK4.5-L-BL-WWAS4.5/S370	8052008	8050734	8047896
			3	BL-WWAK3-L-BL-WWAS3/S370GY	8058770	8058771	8058772
			4	BL-WWAK4-L-BL-WWAS4/S370GY	8058773	8058774	8058775

Other versions and cable-lengths are available upon request.



baseLine **PUR** M12x1 cord sets double ended

Technical data	Pins	Value
Rated voltage [Umax]	3, 4	250V
	5	60V
Current load [Imax]	3, 4, 5	4A
Insulation resistance		≥ 10 <sup>8</sup> Ω
Standards		IEC61076-2-101
Materials	Grip	TPU, BK
	Contact carrier	TPU, BK
	Sealing (female)	PPMFKM
	Contacts (female)	CuSn, gold-plated
	Contacts (male)	CuZn, gold-plated
	Locking mechanism	CuZn, nickel-plated
Ambient temperature		-30°C... +90°C
Degree of pollution		3
Protection class (installed)		IP67, IP69K
Mechanical life cycle		>100 mating cycles

Coding A	3 pins   female	3 pins   male	4 pins   female	4 pins   male	5 pins   female	5 pins   male

1BN | 3BU | 4BK

1BN | 2WH | 3BU | 4BK

1BN | 2WH | 3BU | 4BK | 5GY