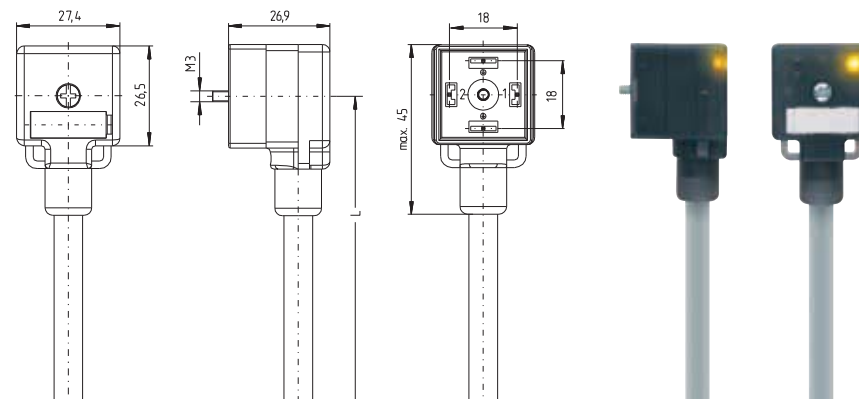




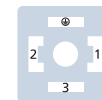
Type	Voltage	Circuit	Contacts	Cable quality
A	24V _{AC/DC}	1	2+PE jumpered	PUR S370 [®]
		3	2+PE jumpered	
	24V _{DC}	2	3+PE wire	
		0	2+PE	
	230V _{AC/DC}	0	2+PE jumpered	
A	24V _{AC/DC}	1	2+PE jumpered	PVC P00
		3	2+PE jumpered	
	24V _{DC}	2	3+PE wire	
		0	2+PE	
	230V _{AC/DC}	0	2+PE jumpered	
A	24V _{AC/DC}	1	2+PE jumpered	PVC P01 [®]
		3	2+PE jumpered	
	24V _{DC}	2	3+PE wire	
		0	2+PE	
	230V _{AC/DC}	0	2+PE jumpered	
		5	2+PE jumpered	



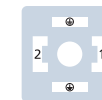
Valve connector type A

Technical data	Value	
Current load [I _{max}]	4A	
Standards	DIN EN 175301-803	
Materials	Grip	TPU, BK translucent
	Contact carrier	PA, BK
	Sealing	TPU
	Contacts	CuSn, silver-plated
Fastening screw	CuZn, nickel-plated	
	Fastening screw V4A (M3x28) available under Item-No. 8060907 (page 228)	
Ambient temperature	-30°C...+90°C	
Degree of pollution	3	
Protection class (installed)	IP67, IP69K	
Mechanical life cycle	>100 mating cycles	

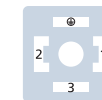
Pinning	21	22	41
	2 contacts+PE	2 contacts+PE jumpered	3 contacts+PE+Wire-connection (pressure switch)



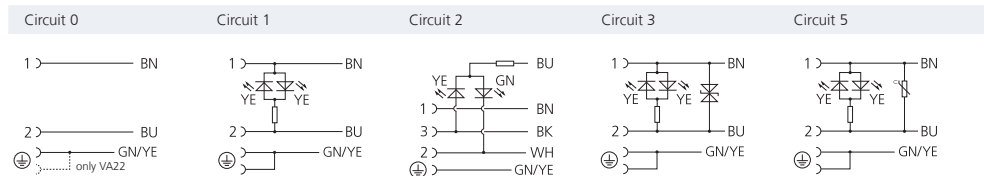
1 BN | 2 BU | 3 n.c.
PE: GN/YE



1 BN | 2 BU
PE: GN/YE

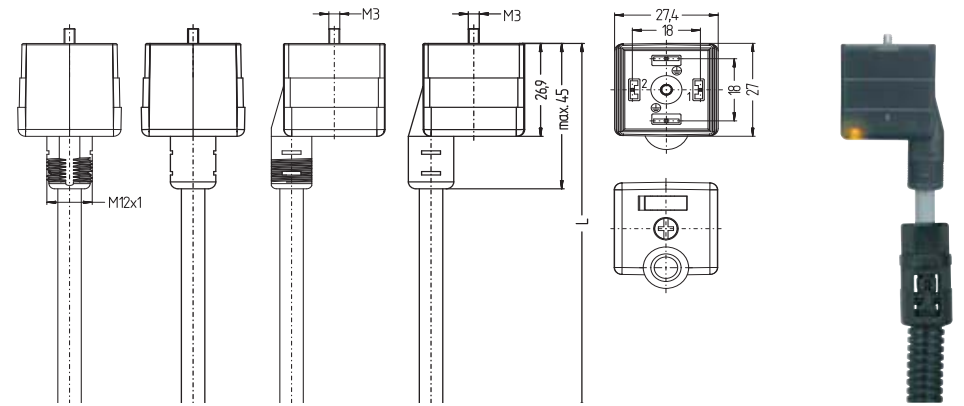


1 BN | 2 WH | 3 BK
PE: GN/YE





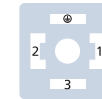
Type	Voltage	Circuit	Contacts	Cable quality	
AA	24V _{AC/DC}	1	2+PE jumpered	PUR S370 [®]	
		3	2+PE jumpered		
	24V _{DC}	2	3+PE wire	PVC P00	
		3	2+PE jumpered		
	230V _{AC/DC}	0	2+PE	PVC P01 [®]	
		5	2+PE jumpered		
	AAG	24V _{AC/DC}	1	2+PE jumpered	PUR S370 [®]
			3	2+PE jumpered	
		24V _{DC}	2	3+PE wire	PVC P00
			3	2+PE jumpered	
230V _{AC/DC}		0	2+PE	PVC P01 [®]	
		5	2+PE jumpered		
		24V _{AC/DC}	1	2+PE jumpered	PVC P01 [®]
			3	2+PE jumpered	
		24V _{DC}	2	3+PE wire	PVC P00
			3	2+PE jumpered	
	230V _{AC/DC}	0	2+PE	PVC P01 [®]	
		5	2+PE jumpered		
		24V _{DC}	2	3+PE wire	PVC P01 [®]
		230V _{AC/DC}	0	2+PE	
			5	2+PE jumpered	



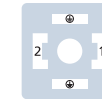
Valve connector type A straight

Technical data		Value
Current load [Imax]		4A
Standards		DIN EN 175301-803
Materials	Grip	TPU, BK translucent
	Contact carrier	PA, BK
	Sealing	TPU
	Contacts	CuSn, silver-plated
Fastening screw		CuZn, nickel-plated
		Fastening screw V4A (M3x28) available under Item-No. 8060907 (page 228)
Ambient temperature		-30°C...+90°C
Degree of pollution		3
Protection class (installed)		IP67, IP69K
Mechanical life cycle		>100 mating cycles

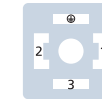
Pinning	21	22	41
	2 contacts+PE	2 contacts+PE jumpered	3 contacts+PE+Wire-connection (pressure switch)



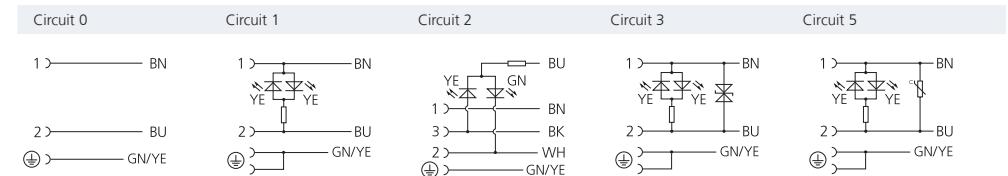
1BN | 2BU | 3 n.c.
PE: GN/YE



1BN | 2BU
PE: GN/YE

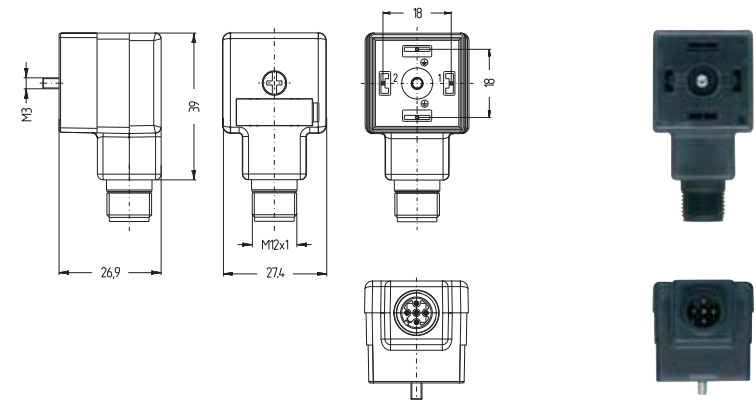


1BN | 2WH | 3BK
PE: GN/YE





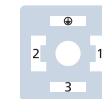
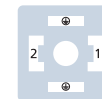
Type	Voltage	Circuit	Contacts
A_M12x1	24V _{AC/DC}	1	2+PE jumpered
		3	2+PE jumpered
	24V _{DC}	2	3+PE wire
	60V _{AC/DC}	0	2+PE jumpered



Adapter Valve connector_M12x1

Technical data	Value										
Current load [I _{max}]	4A										
Standards	DIN EN 175301-803										
Materials	<table border="0"> <tr> <td>Grip</td> <td>TPU, BK translucent</td> </tr> <tr> <td>Contact carrier</td> <td>PA, BK</td> </tr> <tr> <td>Sealing</td> <td>TPU</td> </tr> <tr> <td>Contacts</td> <td>CuSn, silver-plated</td> </tr> <tr> <td>Fastening screw</td> <td>CuZn, nickel-plated</td> </tr> </table>	Grip	TPU, BK translucent	Contact carrier	PA, BK	Sealing	TPU	Contacts	CuSn, silver-plated	Fastening screw	CuZn, nickel-plated
Grip	TPU, BK translucent										
Contact carrier	PA, BK										
Sealing	TPU										
Contacts	CuSn, silver-plated										
Fastening screw	CuZn, nickel-plated										
Ambient temperature	-30°C...+90°C										
Degree of pollution	3										
Protection class (installed)	IP67, IP69K										
Mechanical life cycle	>100 mating cycles										

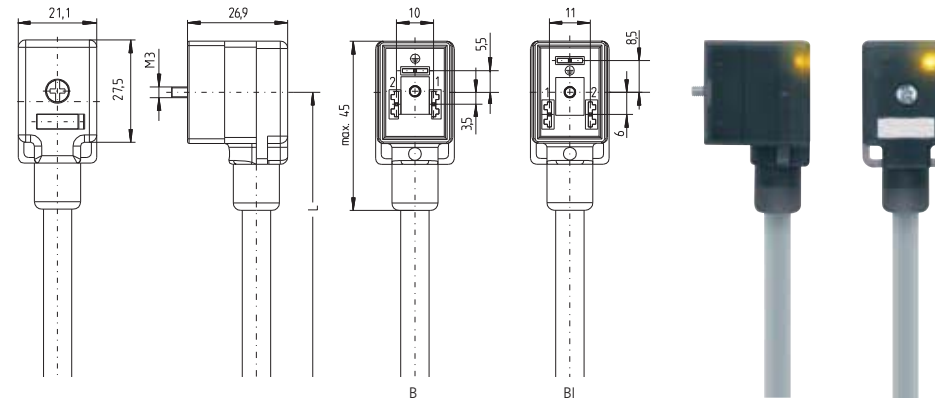
Pinning	22	41	M12x1 5 pins	M12x1 5.002
		2 contacts+PE jumpered	3 contacts+PE+wire	



Protective circuit	Circuit 0	Circuit 1	Circuit 2	Circuit 3



Type	Voltage	Circuit	Contacts	Cable quality
B	24V _{AC/DC}	1	2+PE	PUR S370 [®]
		3	2+PE	
	230V _{AC/DC}	0	2+PE	PVC P00
		5	2+PE	
	24V _{AC/DC}	1	2+PE	PVC P01 [®]
		3	2+PE	
230V _{AC/DC}	0	2+PE	PVC P00	
	5	2+PE		
BI	24V _{AC/DC}	1	2+PE	PUR S370 [®]
		3	2+PE	
	230V _{AC/DC}	0	2+PE	PVC P00
		5	2+PE	
	24V _{AC/DC}	1	2+PE	PVC P01 [®]
		3	2+PE	
230V _{AC/DC}	0	2+PE	PVC P00	
	5	2+PE		



Valve connector type B | BI

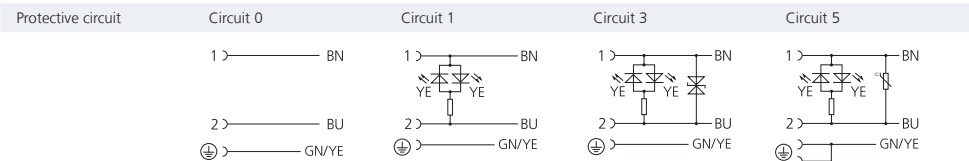
Technical data

Current load [I _{max}]	4A
Standards	DIN EN 175301-803
Materials	Grip: TPU, BK translucent Contact carrier: PA, BK Sealing: TPU Contacts: CuSn, silver-plated Fastening screw: CuZn, nickel-plated
Ambient temperature	-30°C...+90°C
Degree of pollution	3
Protection class (installed)	IP67, IP69K
Mechanical life cycle	>100 mating cycles
Fastening screw V4A (M3x28) available under Item-No. 8060907 (page 228)	

Pinning	21 2 contacts+PE
---------	---------------------

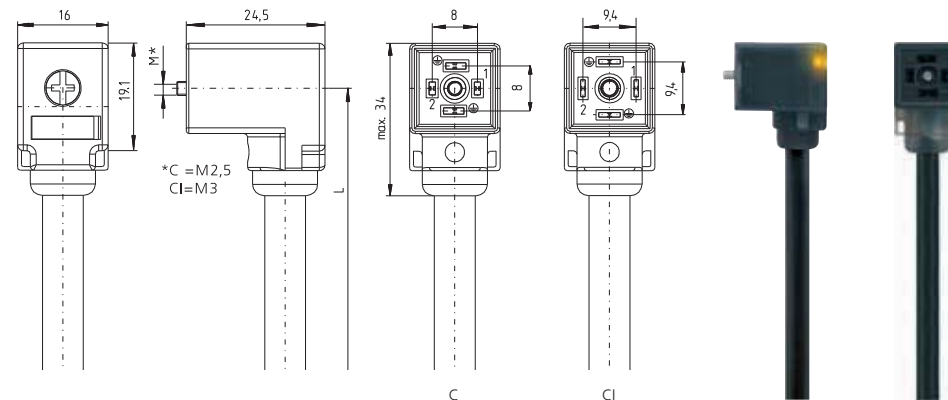


1 BN | 2 BU
PE: GN/YE





Type	Voltage	Circuit	Contacts	Cable-quality
C	24V _{AC/DC}	1	2+PE jumpered	PUR S370 [®]
		4	2+PE jumpered	
	230V _{AC/DC}	0	2+PE	PVC P00
		1	2+PE jumpered	
		4	2+PE jumpered	
		0	2+PE	
CI	24V _{AC/DC}	1	2+PE jumpered	PUR S370 [®]
		4	2+PE jumpered	
	230V _{AC/DC}	0	2+PE	PVC P00
		1	2+PE jumpered	
		4	2+PE jumpered	
		0	2+PE	
CI	24V _{AC/DC}	1	2+PE jumpered	PVC P01 [®]
		4	2+PE jumpered	
	230V _{AC/DC}	0	2+PE	PVC P01 [®]
		1	2+PE jumpered	
		4	2+PE jumpered	
		0	2+PE	



Valve connector type C | CI

Technical data

Current load [I _{max}]	4A	
Standards	DIN EN 175301-803	
Materials	Grip	TPU, BK translucent
	Contact carrier	PA, BK
	Sealing	TPU
	Contacts	CuSn, silver-plated
	Fastening screw	CuZn, nickel-plated
Ambient temperature	-30°C...+90°C	
Degree of pollution	3	
Protection class (installed)	IP67, IP69K	
Mechanical life cycle	>100 mating cycles	

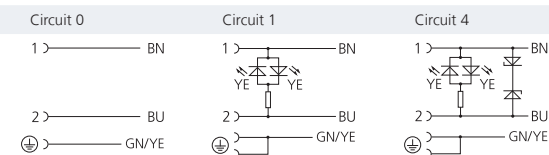
Pinning	21	22
	2 contacts+PE	2 contacts+PE jumpered



1 BN | 2 BU
PE: GN/YE

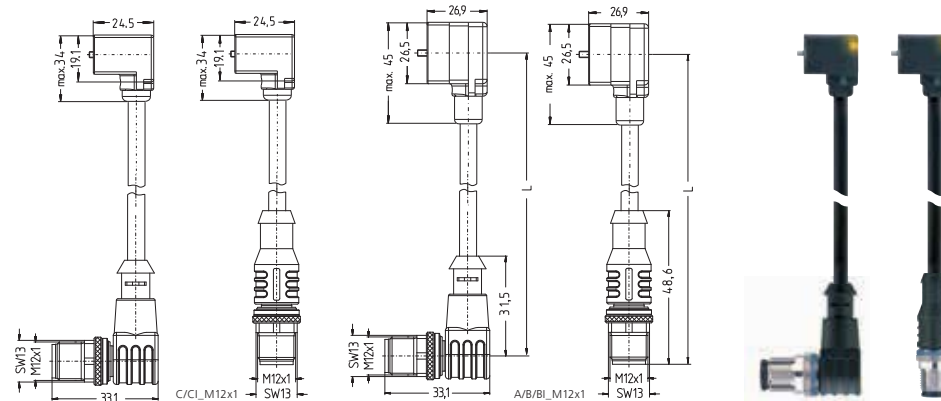


1 BN | 2 BU
PE: GN/YE





Side A	Side B	Cable-quality
U _a contacts protective cir.		
A 24V _{Ac} /DC 2+PE jumpered 3	AL_M12x1	m ↑ PUR S370 [®]
		m ↖
24V _{Ac} /DC 3+PE wire 2	AL_M12x1	m ↑
		m ↖
24V _{Ac} /DC 2+PE jumpered 3	AL_M12x1	m ↑ PVC P00
		m ↖
24V _{Ac} /DC 3+PE wire 2	AL_M12x1	m ↑
		m ↖
24V _{Ac} /DC 2+PE jumpered 3	AL_M12x1	m ↑ PVC P01 [®]
		m ↖
24V _{Ac} /DC 3+PE wire 2	AL_M12x1	m ↑
		m ↖
B 24V _{Ac} /DC 2+PE 3	AL_M12x1	m ↑ PUR S370 [®]
		m ↖
		m ↑ PVC P00
		m ↖
		m ↑ PVC P01 [®]
		m ↖
BI 24V _{Ac} /DC 2+PE 3	AL_M12x1	m ↑ PUR S370 [®]
		m ↖
		m ↑ PVC P00
		m ↖
		m ↑ PVC P01 [®]
		m ↖
C 24V _{Ac} /DC 2+PE jumpered 4	AL_M12x1	m ↑ PUR S370 [®]
		m ↖
		m ↑ PVC P00
		m ↖
		m ↑ PVC P01 [®]
		m ↖
CI 24V _{Ac} /DC 2+PE jumpered 4	AL_M12x1	m ↑ PUR S370 [®]
		m ↖
		m ↑ PVC P00
		m ↖
		m ↑ PVC P01 [®]
		m ↖



Valve connector | M12x1 cord sets double ended

Technical data	Valve connector	Round connector M12x1		
Current load [I _{max}]	4A	4A		
Insulation resistance	≥10 ⁸ Ω	≥10 ⁸ Ω		
Standards	DIN EN 175301-803	IEC 61076-2-101		
Materials	Grip	TPU, BK translucent	Grip	TPU, BK translucent
	Contact carrier	PA, BK	Contact carrier	TPU, BK
	Sealing	TPU	Sealing	FPL /FKM
	Contacts	CuSn, silver-plated	Contacts	CuZn, gold-plated
	Fastening screw	CuZn, nickel-plated	Locking mechanism	CuZn, nickel-plated
Ambient temperature	-30°C...+90°C	-30°C...+90°C		
Degree of pollution	3	3		
Protection class (installed)	IP67, IP69K	IP67, IP69K		
Mechanical life cycle	>100 mating cycles	>100 mating cycles		

Pinning Valve connector			Pinning M12x1 male	
A	B/BI	C/CI	5	5.002
			1BN 2WH 3BU 4BK 5GN/YE	3BU 4BN 5GN/YE

