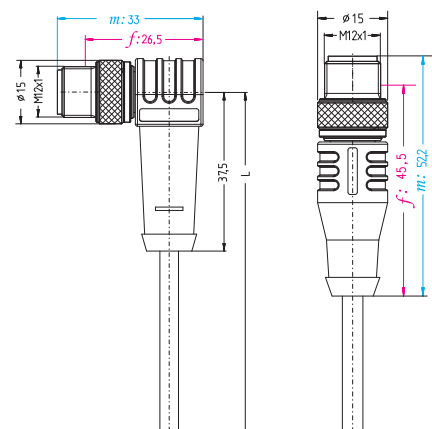




Product line	Version	Cable quality	Pins
HT_M12x1	f ↑	PTFE S2430	3
			4
			5
			8
	f ↗	PTFE S2430	12
			3
			4
			5
	m ↑	PTFE S2430	8
			12
			3
			4
	m ↗	PTFE S2430	5
			8
			12
			3

Cable quality PTFE | S2430

Flexible PTFE-cable with high temperature resistance (300°C/3000h), cold bending resistance down to -65°C. Excellent oil-, acids-, chemicals-, ozone- and weather resistance and flame retardant. It is low-smoke without corrosive fire gases. Applications in extended temperature-range of industrial machinery- and plant construction as well as the chemical- and automotive industries.

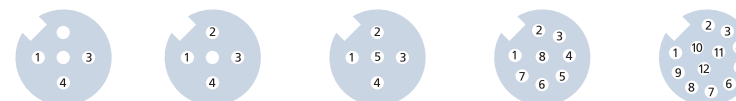


M12x1 High temperature-proof

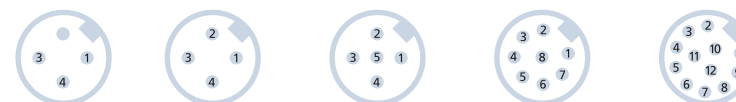
Technical data	Pins	Value
Rated voltage [U _{max}]	3, 4	250V
	5	60V
	8, 12	30V
Current load [I _{max}]	3, 4, 5	4A
	8	2A
	12	1.5A
Insulation resistance		≥10 ⁸ Ω
Standards		IEC 61076-2-101
Materials	Grip	PBT GF, BK
	Contact carrier	PBT GF, BK
	Sealing (<i>female</i>)	FPL /FKM
	Contacts	CuZn, gold-plated
	Locking mechanism	CuZn, nickel-plated
Ambient temperature		-20°C...+150°C
Degree of pollution		3
Protection class (installed)		IP65
Mechanical life cycle		>100 mating cycles

Coding A | *female*

3 pins 4 pins 5 pins 8 pins 12 pins



Coding A | *male*



1BN | 3BU | 4BK

1BN | 2WH
3BU | 4BK

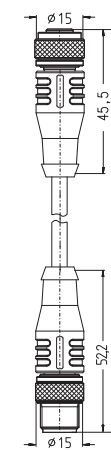
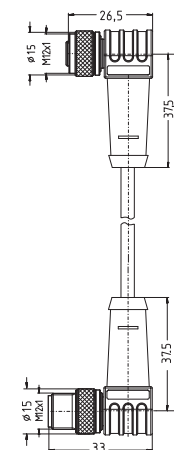
1BN | 2WH
3BU | 4BK | 5GY

1WH | 2BN | 3GN | 4YE
5GY | 6PK | 7BU | 8RD

1BN | 2BU | 3WH | 4GN | 5PK | 6YE | 7BK
8GY | 9RD | 10VT | 11GY/PK | 12RD/BU



Product line	Version	Cable quality	Pins
HT_M12x1	<i>f</i> ↑ __ <i>m</i> ↑	PTFE S2430	3
			4
			5
			8
HT_M12x1	<i>f</i> ↖ __ <i>m</i> ↗	PTFE S2430	3
			4
			5
			8
			12



M12x1 High temperature-proof | cord sets double ended

Technical data	Pins	Value
Rated voltage [U _{max}]	3, 4	250V
	5	60V
	8, 12	30V
Current load [I _{max}]	3, 4, 5	4A
	8	2A
	12	1.5A
	Insulation resistance	
Standards		IEC 61076-2-101
Materials	Flange housing	CuZn, nickel-plated
	Contact carrier	PBT GF, BK
	Sealing (<i>female</i>)	FPL /FKM
	Contacts	CuZn, gold-plated
Sealing (screw in thread)		NBR
Ambient temperature		-20°C...+150°C
Degree of pollution		3
Protection class (installed)		IP67
Mechanical life cycle		>100 mating cycles

Coding A | *female*

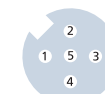
3 pins



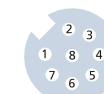
4 pins



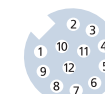
5 pins



8 pins



12 pins



Coding A | *male*



1BN | 3BU | 4BK

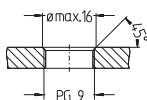
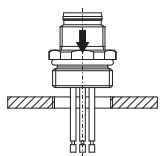
1BN | 2WH
3BU | 4BK1BN | 2WH
3BU | 4BK | 5GY1WH | 2BN | 3GN | 4YE
5GY | 6PK | 7BU | 8RD1BN | 2BU | 3WH | 4GN | 5PK | 6YE | 7BK
8GY | 9RD | 10VT | 11GY/PK | 12RD/BU



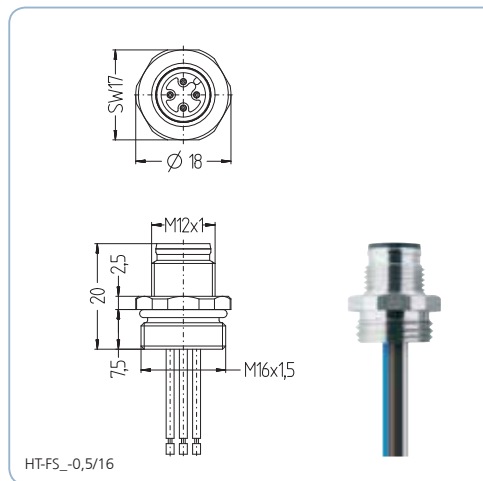
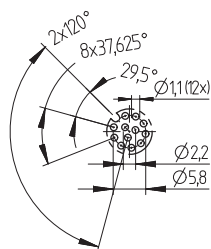
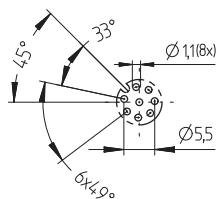
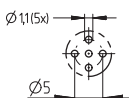
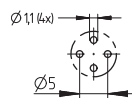
Product line	Version	Pins
Front-wall mounting (optional threaded rear)	<i>f</i> †	3
		4
		5
		8
		12
	<i>m</i> †	3
		4
		5
		8
		12

Flanges (front-wall mounting)

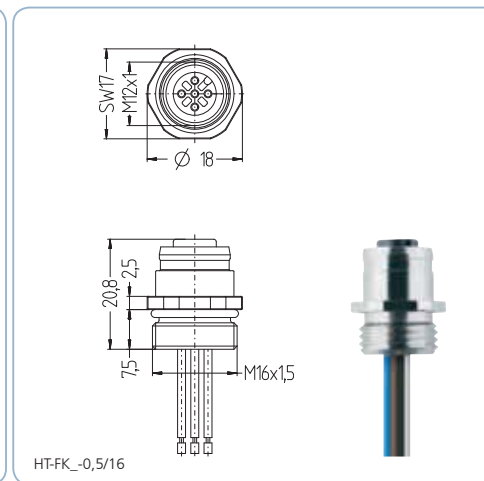
Panel cut-out



Footprint	4 pins	5 pins	8 pins	12 pins
-----------	--------	--------	--------	---------



HT-FS_-0,5/16

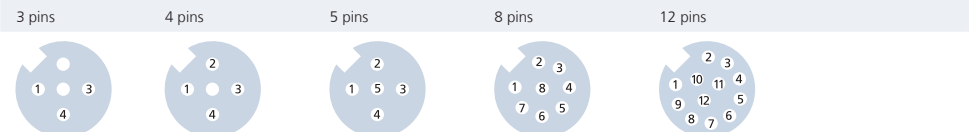


HT-FK_-0,5/16

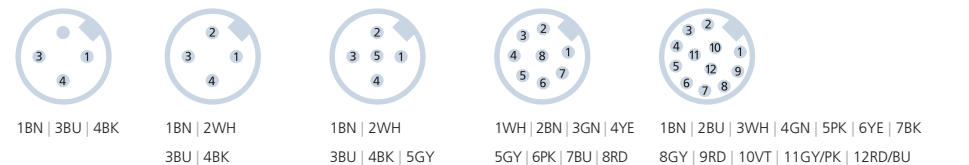
M12x1 High temperature-proof | flanges

Technical data	Pins	Value
Rated voltage [U _{max}]	3, 4	250V
	5	60V
	8, 12	30V
Current load [I _{max}]	3, 4, 5	4A
	8	2A
	12	1.5A
Insulation resistance		≥10 ⁸ Ω
Standards		IEC 61076-2-101
Materials	Flange housing	CuZn, nickel-plated
	Contact carrier	PBT GF, BK
	Sealing (<i>female</i>)	FPL /FKM
	Contacts	CuZn, gold-plated
	Sealing (screw in thread)	NBR
Ambient temperature		-20°C...+150°C
Degree of pollution		3
Protection class (installed)		IP67
Mechanical life cycle		>100 mating cycles

Coding A | *female*



Coding A | *male*



1BN | 3BU | 4BK 1BN | 2WH 1BN | 2WH 1WH | 2BN | 3GN | 4YE 1BN | 2BU | 3WH | 4GN | 5PK | 6YE | 7BK
 3BU | 4BK | 5GY 3BU | 4BK 3BU | 4BK | 5GY 5GY | 6PK | 7BU | 8RD 8GY | 9RD | 10VT | 11GY/PK | 12RD/BU