

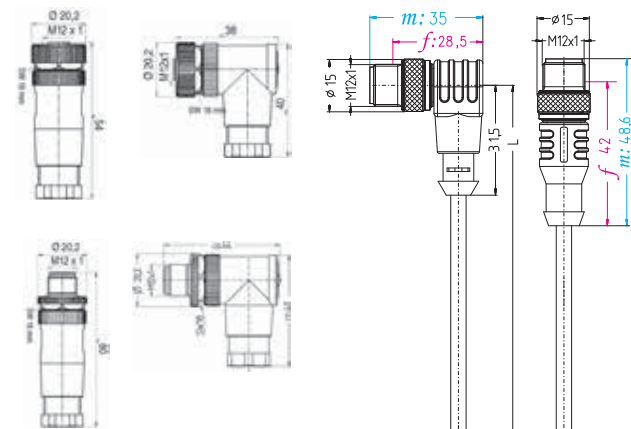


Product line	Version	Cable quality
CD_M12x1	f   ↑	PUR   S2800 <sup>®</sup>
	f   ↗	PUR   S2800 <sup>®</sup>
	m   ↑	PUR   S2800 <sup>®</sup>
	m   ↗	PUR   S2800 <sup>®</sup>
	f   ↑   🖱	
	f   ↗   🖱	
	m   ↑   🖱	
	m   ↗   🖱	
100m bus cable		PUR   S2800 <sup>®</sup>

**Cable quality PUR | S2800<sup>®</sup>**

UL- and CSA-listed shielded PUR-cable for automation technology. As a data transmitter, it supports CANopen as well as DeviceNet-based fieldbuses. High transmission rates enable transport of real-time data. Due to the constructive setup and the materials used, increased mechanical stresses (abrasion, bending, vibrations etc.) do not pose any restrictions to the application.

ESCHA Nomenclatur	S2800 <sup>®</sup>	
Cable quality	PUR	
Nominal diameter	Ø 6.7mm	
Wire-structure data	19xØ0.13mm (0.25mm <sup>2</sup> ) 19xØ0.15mm (0.34mm <sup>2</sup> )	
Wire colours	RD   BK   WH   BU	
Bending radius	single	10xd
	repeated	5xd
Temperature range	operating	-25°C...+80°C
	fixed installation	-50°C...+80°C



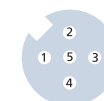
**CANopen | DeviceNet \_ M12x1**

Technical data	Round connector	Field-wireable 🖱
Rated voltage [U <sub>max</sub> ]	60V	125V
Current load [I <sub>max</sub> ]	4A	4A
Insulation resistance	≥ 10 <sup>8</sup> Ω	≥ 10 <sup>8</sup> Ω
Standards	IEC 61076-2-101	IEC 61076-2-101
Material	Grip: TPU, BK Contact carrier: TPU, BK Contacts: CuZn, gold-plated Locking mechanism: CuZn, nickel-plated Sealing: FPL /FKM	1: PA, BK   ↗: PBT/PA, BK PA, BK CuZn, CuSnZn CuZn, nickel-plated FPL /FKM
Ambient temperature	-30°C...+90°C	-40°C...+85°C
Degree of pollution	3	3
Protection class (installed)	IP67, IP69K	IP67
Mechanical life cycle	>100 Mating cycles	>100 Mating cycles
Core cross-section/Clamping ability		0.75mm <sup>2</sup>   AWG18
External diameter of the cable		Ø 4...6mm
Connection		Screw-terminal

Coding: 4+GND | A

female

male



1 (GND) | 2RD (+) | 3BK (-)  
4WH (CAN\_H) | 5BU (CAN\_L)



1 (GND) | 2RD (+) | 3BK (-)  
4WH (CAN\_H) | 5BU (CAN\_L)

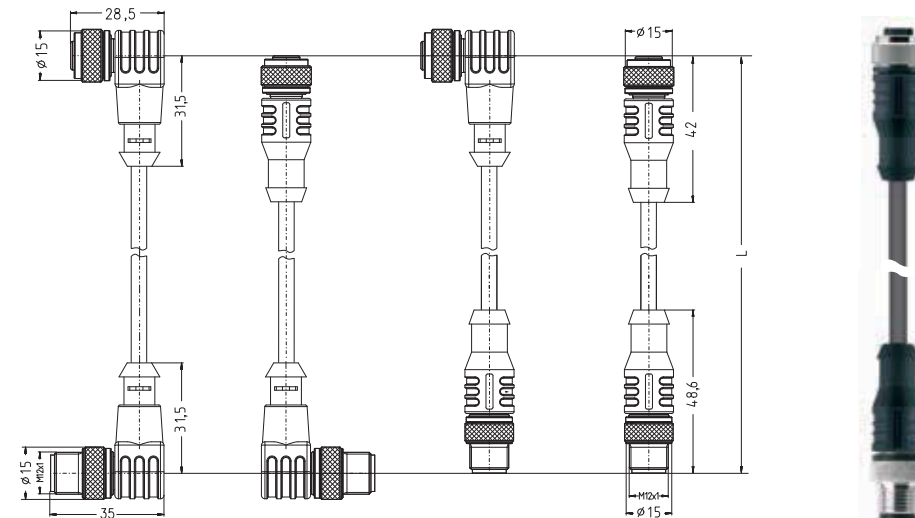


Product line	Version	Cable quality
CD_M12x1	f   ↑_m   ↑	PUR   S2800 <sup>®</sup>
	f   ↖_m   ↑	
	f   ↑_m   ↗	
	f   ↖_m   ↗	

**Cable quality PUR | S2800<sup>®</sup>**

UL- and CSA-listed shielded PUR-cable for automation technology. As a data transmitter, it supports CANopen as well as DeviceNet-based fieldbuses. High transmission rates enable transport of real-time data. Due to the constructive setup and the materials used, increased mechanical stresses (abrasion, bending, vibrations etc.) do not pose any restrictions to the application.

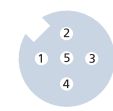
ESCHA Nomenclatur	<b>S2800<sup>®</sup></b>	
Cable quality	PUR	
Nominal diameter	Ø 6.7mm	
Wire-structure data	19xØ0.13mm (0.25mm <sup>2</sup> ) 19xØ0.15mm (0.34mm <sup>2</sup> )	
Wire colours	RD   BK   WH   BU	
Bending radius	single	10xd
	repeated	5xd
Temperature range	operating	-25°C...+80°C
	fixed installation	-50°C...+80°C



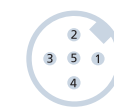
**CANopen | DeviceNet\_ M12x1 cord sets double ended**

Technical data	Value
Rated voltage [U <sub>max</sub> ]	60V
Current load [I <sub>max</sub> ]	4A
Insulation resistance	≥10 <sup>8</sup> Ω
Standards	IEC 61076-2-101
Material	Grip: TPU, BK
	Contact carrier: TPU, BK
	Contacts: CuZn, gold-plated
	Locking mechanism: CuZn, nickel-plated
	Sealing: FPL /FKM
Ambient temperature	-30°C...+90°C
Degree of pollution	3
Protection class (installed)	IP67, IP69K
Mechanical life cycle	>100 Mating cycles

Coding: 4+GND | A *female* *male*



1 (GND) | 2RD (+) | 3BK (-)  
4WH (CAN\_H) | 5BU (CAN\_L)



1 (GND) | 2RD (+) | 3BK (-)  
4WH (CAN\_H) | 5BU (CAN\_L)

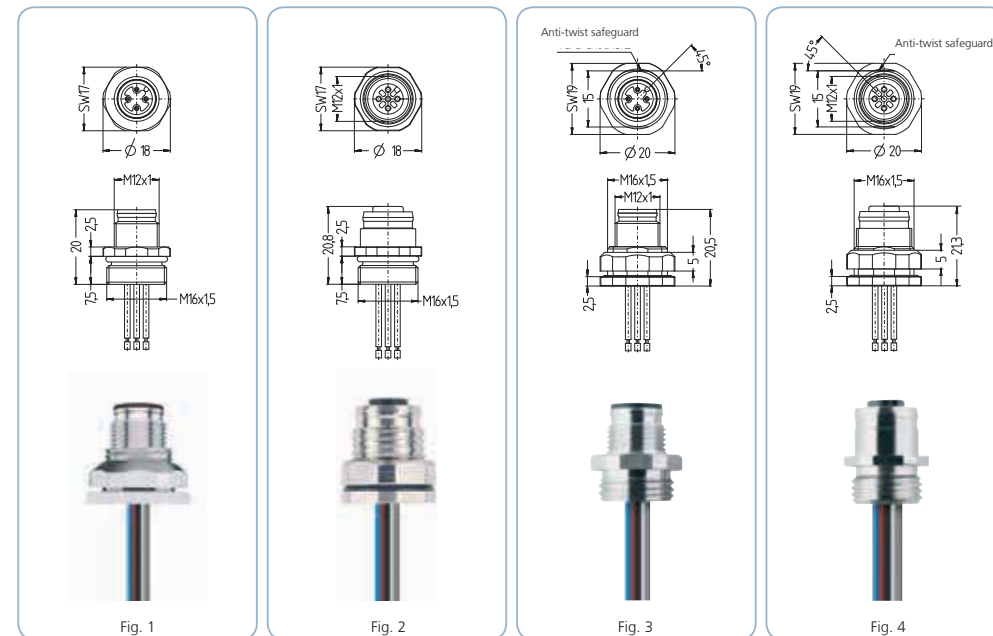


CANopen   DeviceNet M12x1-Flanges	Connection	Version	
Front-wall mounting (optional threaded rear)	Wire-contact	<i>f</i>   ↑	Fig. 4
		<i>m</i>   ↑	Fig. 3
Back-wall mounting (threaded front)	Wire-contact	<i>f</i>   ↑   ◡	Fig. 2
		<i>m</i>   ↑   ◡	Fig. 1

Panel cut-out (cutting for anti-twist safeguard)



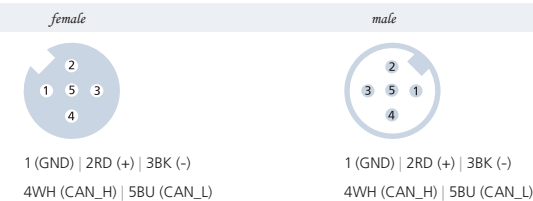
Footprint



CANopen | DeviceNet \_ M12x1 flanges

Technical data	
Rated voltage [U <sub>max</sub> ]	60V
Current load [I <sub>max</sub> ]	4A
Insulation resistance	≥ 10 <sup>8</sup> Ω
Standards	IEC 61076-2-101
Material Flange housing	CuZn, nickel-plated
Contact carrier	TPU, BK
Contacts	CuZn, gold-plated
Sealing ( <i>female</i> )	FPL /FKM
Sealing (screw in thread)	NBR
Ambient temperature	-30°C...+90°C
Degree of pollution	3
Protection class (installed)	IP67
Mechanical life cycle	>100 Mating cycles

Coding: 4+GND | A





Product line	Version	
CD_M12x1 Termination plug	<i>f</i>   ↑	Fig. 3
	<i>m</i>   ↑	Fig. 2
T-splitter	<i>f_f_m</i>	Fig. 1

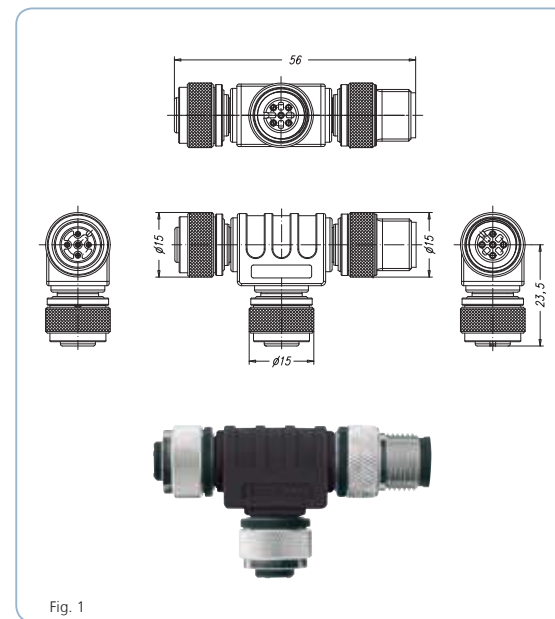
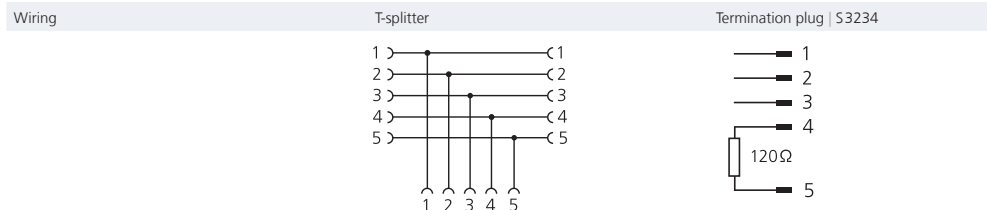


Fig. 1

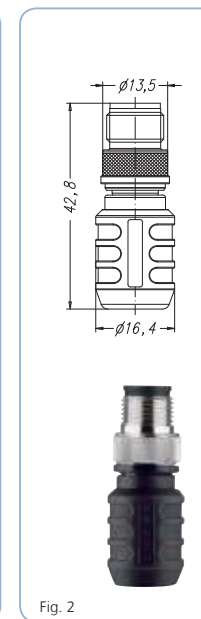


Fig. 2

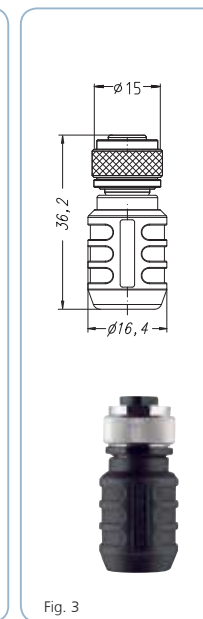


Fig. 3

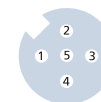
### CANopen | DeviceNet \_ termination plug + T-splitter

#### Technical data

Rated voltage [U <sub>max</sub> ]	60V
Current load [I <sub>max</sub> ]	4A
Insulation resistance	≥ 10 <sup>8</sup> Ω
Standards	IEC 61076-2-101
Material	Grip: TPU, BK
Contact carrier	TPU, BK
Contacts	CuZn, gold-plated
Locking mechanism	CuZn, nickel-plated
Sealing	FPL /FKM
Ambient temperature	-30°C...+90°C
Degree of pollution	3
Protection class (installed)	IP67, IP69K
Mechanical life cycle	>100 Mating cycles

Coding: 4+GND | A

*female*



*male*

