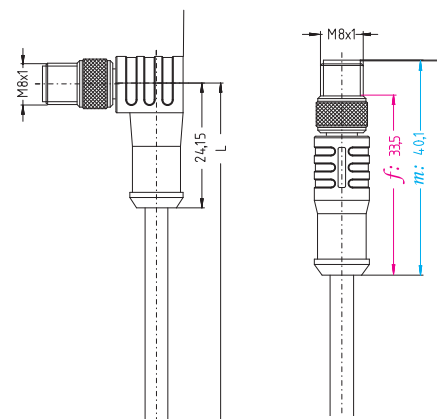




Product line	Version	Cable quality	Pins
HT_M8x1	<i>f</i> ↑	PTFE S2430	3
			4
	<i>f</i> ↗	PTFE S2430	3
			4
	<i>m</i> ↑	PTFE S2430	3
			4
	<i>m</i> ↗	PTFE S2430	3
			4

Cable quality PTFE | S2430

Flexible PTFE-cable with high temperature resistance (300°C/3000h), cold bending resistance down to -65°C. Excellent oil-, acids-, chemicals-, ozone- and weather resistance and flame retardant. It is low-smoke without corrosive fire gases. Applications in extended temperature-range of industrial machinery- and plant construction as well as the chemical- and automotive industries.



M8x1 high temperature-proof

Technical data	Pins	Value
Rated voltage [U _{max}]	3	60V
	4	30V
Current load [I _{max}]	3, 4	4A
Insulation resistance		≥10 ⁸ Ω
Standards		IEC 61076-2-104
Materials	Grip	PBT GF, BK
	Contact carrier	PBT GF, BK
	Sealing (<i>female</i>)	FPL /FKM
	Contacts	CuZn, gold-plated
	Locking mechanism	CuZn, nickel-plated
Ambient temperature		-20°C...+150°C
Degree of pollution		3
Protection class (installed)		IP65
Mechanical life cycle		>100 mating cycles

Pinning

3 pins | *female*3 pins | *male*4 pins | *female*4 pins | *male*

1BN | 3BU | 4BK

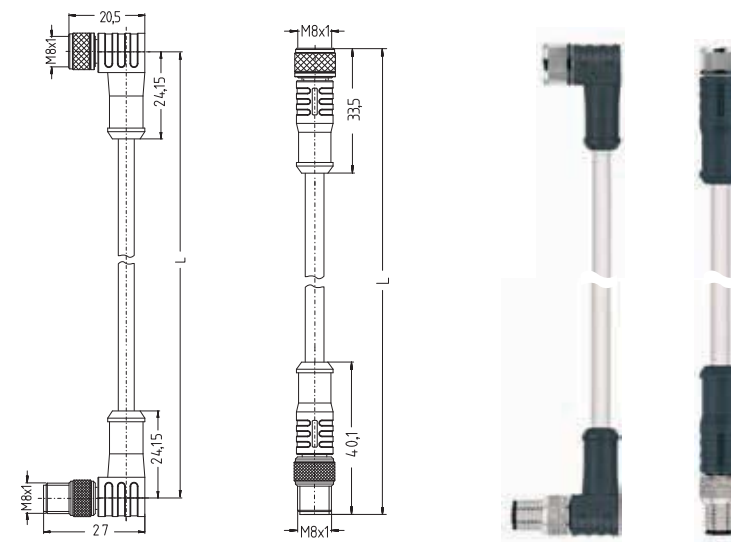
1BN | 2WH | 3BU | 4BK



Product line	Version	Cable-quality	Pins
HT_M8x1	<i>f</i> ↑ <i>m</i> ↑	PTFE S2430	3
			4
HT_M8x1	<i>f</i> ↗ <i>m</i> ↗	PTFE S2430	3
			4

Cable quality PTFE | S2430

Flexible PTFE-cable with high temperature resistance (300°C/3000h), cold bending resistance down to -65°C. Excellent oil-, acids-, chemicals-, ozone- and weather resistance and flame retardant. It is low-smoke without corrosive fire gases. Applications in extended temperature-range of industrial machinery- and plant construction as well as the chemical- and automotive industries.



M8x1 high temperature-proof | cord sets double ended

Technical data	Pins	Value
Rated voltage [U _{max}]	3	60V
	4	30V
Current load [I _{max}]	3, 4	4A
Insulation resistance		≥10 ⁸ Ω
Standards		IEC 61076-2-104
Materials	Grip	PBT GF, BK
	Contact carrier	PBT GF, BK
	Sealing (<i>female</i>)	FPL /FKM
	Contacts	CuZn, gold-plated
Locking mechanism	CuZn, nickel-plated	
Ambient temperature		-20°C...+150°C
Degree of pollution		3
Protection class (installed)		IP65
Mechanical life cycle		>100 mating cycles

Pinning

3 pins | *female*3 pins | *male*4 pins | *female*4 pins | *male*

1BN | 3BU | 4BK

1BN | 2WH | 3BU | 4BK