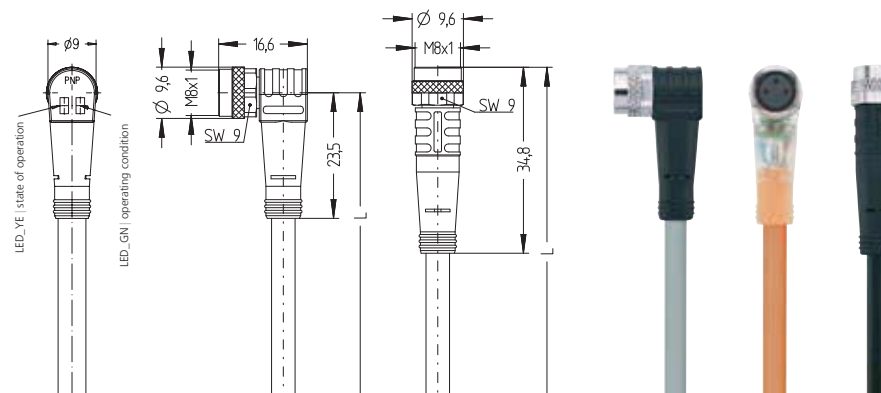




Product line	Version	Cable quality	Pins
AL_M8x1	f   ↑	PUR   S370®	3
			4
			5
		PUR   S370GY®	3
			PUR   S7400® robotic
PVC   P00	3	4	
		5	
		PVC   P01®	3
	4	5	
		f   ↗	PUR   S370®
PVC   P01®	4	5	
		PUR   S370GY®	3
		PUR   S7400® robotic	3
	PVC   P00	3	
		4	
PVC   P01®	3	4	
		5	
		f   ↗   LED2	PUR   S370®
	PVC   P01®	4	5
			PUR   S370GY®
PUR   S7400® robotic			3
PVC   P00		3	
		4	
PVC   P01®	3	4	
		5	
		PVC   P01®	3
	4	5	
		4	



### AUTOMATION LINE® M8x1 female + female LED

Technical data	Pins	Value
Rated voltage [U <sub>max</sub> ]	3	60V
	4, 5	30V
Current load [I <sub>max</sub> ]	LED-version	24V <sub>dc</sub>
	3, 4	4A
	5, LED-version	3A
Insulation resistance		≥ 10 <sup>8</sup> Ω
Standards		IEC 61076-2-104
Materials	Grip	TPU, BK   LED: TPU, transparent
	Contact carrier	TPU, BK
	Sealing	FPL /FKM
	Contacts	CuZn, gold-plated
	Locking mechanism	CuZn, nickel-plated
Ambient temperature		-30°C...+90°C
Degree of pollution		3
Protection class (installed)		IP67, IP69K
Mechanical life cycle		>100 mating cycles

#### Pinning | female

3 pins      4 pins      5 pins



1BN | 3BU | 4BK



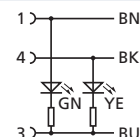
1BN | 2WH  
3BU | 4BK



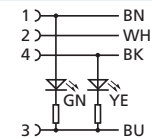
1BN | 2WH  
3BU | 4BK | 5GY

#### LED-versions

3P2

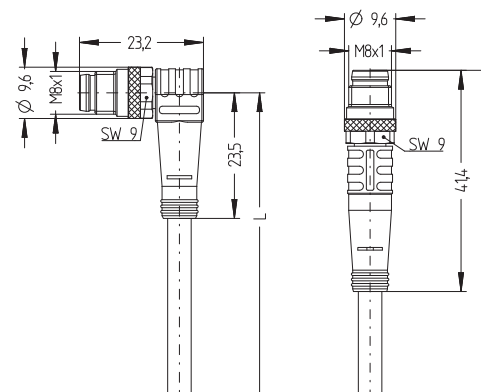


4P2





Product line	Version	Cable quality	Pins
AL_M8x1	m   ↑	PUR   S370®	3
			4
			5
		PUR   S370GY®	3
			PUR   S7400® robotic
PVC   P00		PVC   P00	3
			4
			5
		PVC   P01®	3
			4
m   ↔		PUR   S370®	3
			4
			5
		PUR   S370GY®	3
			PUR   S7400® robotic
PVC   P00		PVC   P00	3
			4
			5
		PVC   P01®	3
			4



### AUTOMATION LINE® M8x1 male

Technical data	Pins	Value
Rated voltage [U <sub>max</sub> ]	3	60V
	4, 5	30V
Current load [I <sub>max</sub> ]	3, 4	4A
	5	3A
Insulation resistance		≥10 <sup>8</sup> Ω
Standards		IEC 61076-2-104
Materials	Grip	TPU, BK
	Contact carrier	TPU, BK
	Contacts	CuZn, gold-plated
	Locking mechanism	CuZn, nickel-plated
Ambient temperature		-30°C...+90°C
Degree of pollution		3
Protection class (installed)		IP67, IP69K
Mechanical life cycle		>100 mating cycles

#### Pinning | male

3 pins                      4 pins                      5 pins



1BN | 3BU | 4BK



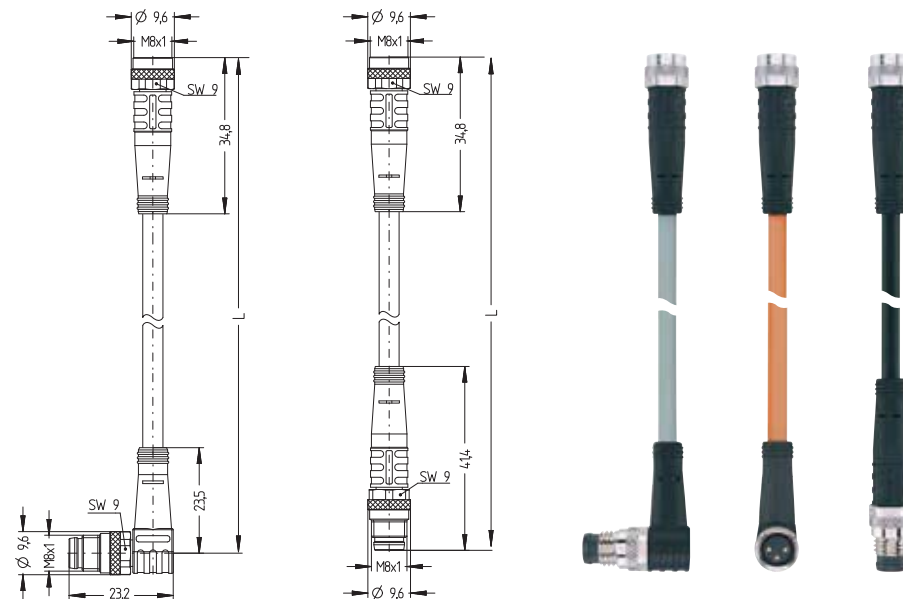
1BN | 2WH  
3BU | 4BK



1BN | 2WH  
3BU | 4BK | 5GY



Product line	Version	Cable quality	Pins
AL_M8x1	f   t   m   t	PUR   S370®	3
			4
			5
		PUR   S370GY®	3
			PUR   S7400® robotic
	f   t   m   r	PUR   S370®	3
			4
			5
		PUR   S370GY®	3
			PUR   S7400® robotic
AL_M8x1	f   t   m   t	PUR   S370®	3
			4
			5
		PUR   S370GY®	3
			PUR   S7400® robotic
	f   t   m   r	PUR   S370®	3
			4
			5
		PUR   S370GY®	3
			PUR   S7400® robotic
AL_M8x1	f   t   m   t	PUR   S370®	3
			4
			5
		PUR   S370GY®	3
			PUR   S7400® robotic
	f   t   m   r	PUR   S370®	3
			4
			5
		PUR   S370GY®	3
			PUR   S7400® robotic
AL_M8x1	f   t   m   t	PUR   S370®	3
			4
			5
		PUR   S370GY®	3
			PUR   S7400® robotic
	f   t   m   r	PUR   S370®	3
			4
			5
		PUR   S370GY®	3
			PUR   S7400® robotic



### AUTOMATION LINE® M8x1 cord sets double ended

Technical data	Pins	Value			
Rated voltage [U <sub>max</sub> ]	3	60V			
	4, 5	30V			
Current load [I <sub>max</sub> ]	3, 4	4A			
	5	3A			
	Insulation resistance		≥10 <sup>8</sup> Ω		
Standards		IEC 61076-2-104			
Materials	Grip	TPU, BK			
	Contact carrier	TPU, BK			
	Sealing ( <i>female</i> )	FPL /FKM			
	Contacts	CuZn, gold-plated			
	Locking mechanism	CuZn, nickel-plated			
Ambient temperature		-30°C...+90°C			
Degree of pollution		3			
Protection class (installed)		IP67, IP69K			
Mechanical life cycle		>100 mating cycles			
Pinning					
3 pins   <i>female</i>	3 pins   <i>male</i>	4 pins   <i>female</i>	4 pins   <i>male</i>	5 pins   <i>female</i>	5 pins   <i>male</i>



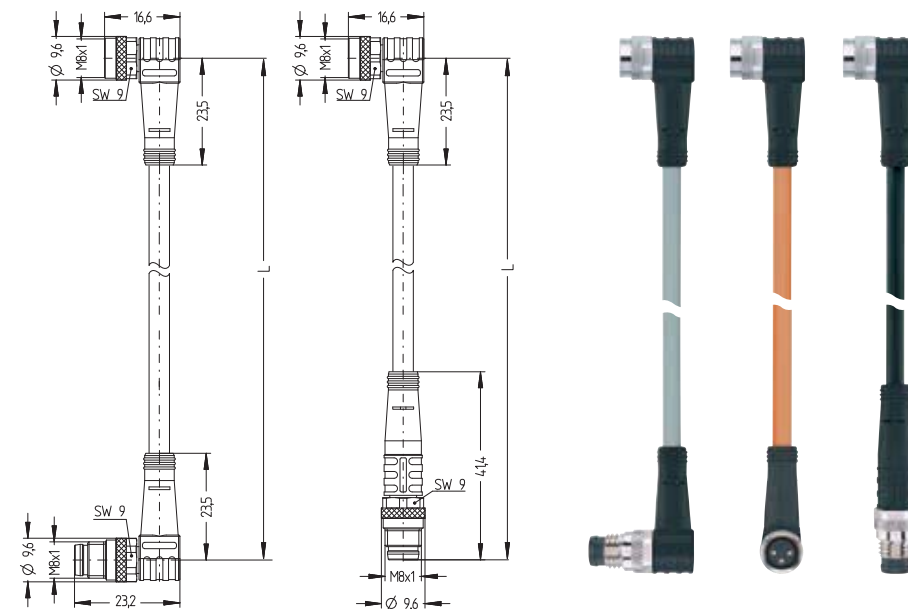
1BN | 3BU | 4BK

1BN | 2WH | 3BU | 4BK

1BN | 2WH | 3BU | 4BK | 5GY



Product line	Version	Cable quality	Pins
AL_M8x1	f   r__m   †	PUR   S370®	3
			4
			5
		PUR   S370GY®	3
			PUR   S7400® robotic
	PVC   P00	3	
		4	
		5	
		PVC   P01®	3
			4
f   r__m   †	PUR   S370®	3	
		4	
		5	
		PUR   S370GY®	3
			PUR   S7400® robotic
	PVC   P00	3	
		4	
		5	
		PVC   P01®	3
			4
f   r   LED2__m   †	PUR   S370®	3	
		4	
		5	
		PUR   S370GY®	3
			PUR   S7400® robotic
	PVC   P00	3	
		4	
		5	
		PVC   P01®	3
			4



### AUTOMATION LINE® M8x1 cord sets double ended

Technical data	Pins	Value			
Rated voltage [U <sub>max</sub> ]	3	60V			
	4, 5	30V			
Current load [I <sub>max</sub> ]	3, 4	4A			
	5,	3A			
Insulation resistance		≥10 <sup>8</sup> Ω			
Standards		IEC 61076-2-104			
Materials	Grip	TPU, BK			
	Contact carrier	TPU, BK			
	Sealing ( <i>female</i> )	FPL /FKM			
	Contacts	CuZn, gold-plated			
Locking mechanism	CuZn, nickel-plated				
Ambient temperature		-30°C...+90°C			
Degree of pollution		3			
Protection class (installed)		IP67, IP69K			
Mechanical life cycle		>100 mating cycles			
Pinning					
3 pins   <i>female</i>	3 pins   <i>male</i>	4 pins   <i>female</i>	4 pins   <i>male</i>	5 pins   <i>female</i>	5 pins   <i>male</i>



1BN | 3BU | 4BK



1BN | 2WH | 3BU | 4BK

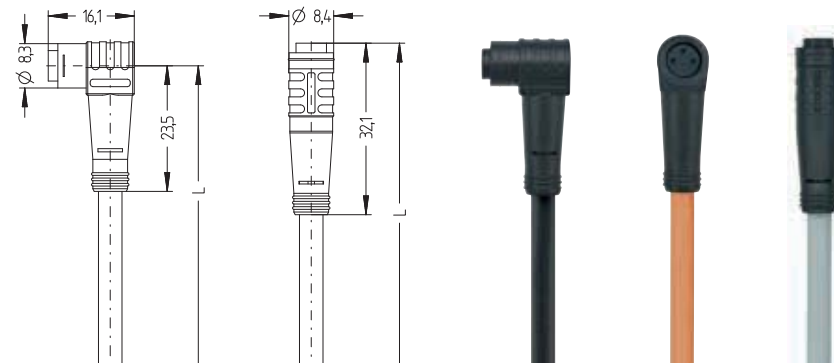


1BN | 2WH | 3BU | 4BK | 5GY





Product line	Version	Cable quality	Pins
AL_Ø8snap	f   ↑	PUR   S370®	3
			4
			5
		PUR   S370GY®	3
			4
	f   ↗	PUR   S7400®robotic	3
			4
			5
		PVC   P00	3
			4
AL_Ø8snap	f   ↑	PUR   S370®	3
			4
			5
		PUR   S370GY®	3
			4
	f   ↗	PUR   S7400®robotic	3
			4
			5
		PVC   P00	3
			4
AL_Ø8snap	f   ↑	PUR   S370®	3
			4
			5
		PUR   S370GY®	3
			4
	f   ↗	PUR   S7400®robotic	3
			4
			5
		PVC   P00	3
			4



**Automation Line® Ø8mm snap female**

Technical data	Pins	Value
Rated voltage [U <sub>max</sub> ]	3	60V
	4, 5	30V
Current load [I <sub>max</sub> ]	3, 4	4A
	5	3A
Insulation resistance		≥10 <sup>8</sup> Ω
Standards		IEC 61076-2-104
Materials	Grip	TPU, BK
	Contact carrier	TPU, BK
	Sealing	FPL /FKM
	Contacts	CuZn, gold-plated
Ambient temperature		-30°C...+90°C
Degree of pollution		3
Protection class (installed)		IP67
Mechanical life cycle		>100 mating cycles

Pinning   female		
3 pins	4 pins	5 pins



1BN | 3BU | 4BK



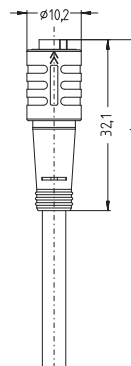
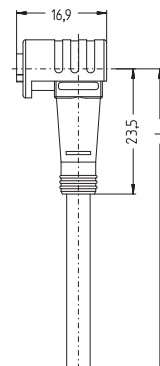
1BN | 2WH  
3BU | 4BK



1BN | 2WH  
3BU | 4BK | 5GY



Product line	Version	Cable quality	Pins
AL_Ø8snap	f   ↑   Locking-ring	PUR   S370®	3
			4
			5
		PUR   S370GY®	3
			PUR   S7400®robotic
PVC   P00	f   ↗   Locking-ring	PUR   S370®	3
			4
			5
		PUR   S370GY®	3
			PUR   S7400®robotic
PVC   P01®	f   ↗   Locking-ring	PUR   S370®	3
			4
			5
		PUR   S370GY®	3
			PUR   S7400®robotic
PVC   P00	f   ↗   Locking-ring	PUR   S370®	3
			4
			5
		PUR   S370GY®	3
			PUR   S7400®robotic
PVC   P01®	f   ↗   Locking-ring	PUR   S370®	3
			4
			5
		PUR   S370GY®	3
			PUR   S7400®robotic
PVC   P00	f   ↗   Locking-ring	PUR   S370®	3
			4
			5
		PUR   S370GY®	3
			PUR   S7400®robotic
PVC   P01®	f   ↗   Locking-ring	PUR   S370®	3
			4
			5
		PUR   S370GY®	3
			PUR   S7400®robotic



### AUTOMATION LINE® Ø8mm snap with locking-ring female

Technical data	Pins	Value
Rated voltage [U <sub>max</sub> ]	3	60V
	4, 5	30V
Current load [I <sub>max</sub> ]	3, 4	4A
	5	3A
Insulation resistance		≥10 <sup>8</sup> Ω
Standards		IEC 61076-2-104
Materials	Grip	TPU, BK
	Contact carrier	TPU, BK
	Sealing	FPL /FKM
	Contacts	CuZn, gold-plated
	Locking mechanism	POM
Ambient temperature		-30°C...+90°C
Degree of pollution		3
Protection class (installed)		IP67
Mechanical life cycle		>100 mating cycles
Pinning   female		
3 pins	4 pins	5 pins



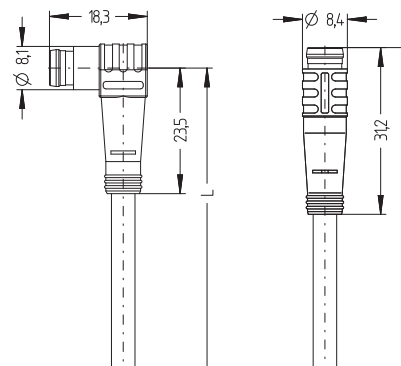
1BN | 3BU | 4BK

1BN | 2WH  
3BU | 4BK

1BN | 2WH  
3BU | 4BK | 5GY



Product line	Version	Cable quality	Pins
AL_Ø8snap	m   ↑	PUR   S370®	3
			4
			5
		PUR   S370GY®	3
			PUR   S7400® robotic
	m   ↔	PVC   P00	3
			4
			5
		PVC   P01®	3
			4
	m   ↔	PUR   S370®	3
			4
			5
		PUR   S370GY®	3
			PUR   S7400® robotic
	PVC   P00	3	
		4	
		5	
		PVC   P01®	3
			4



**AUTOMATION LINE® Ø8mm snap male**

Technical data	Pins	Value
Rated voltage [U <sub>max</sub> ]	3	60V
	4, 5	30V
Current load [I <sub>max</sub> ]	3, 4	4A
	5	3A
Insulation resistance		≥10 <sup>8</sup> Ω
Standards		IEC 61076-2-104
Materials	Grip	TPU, BK
	Contact carrier	TPU, BK
	Contacts	CuZn, gold-plated
Ambient temperature		-30°C...+90°C
Degree of pollution		3
Protection class (installed)		IP67
Mechanical life cycle		>100 mating cycles

Pinning   male		
3 pins	4 pins	5 pins



1BN | 3BU | 4BK



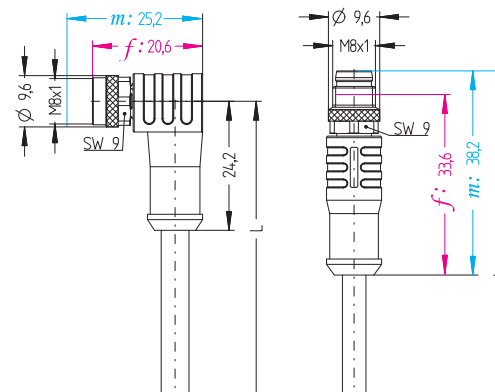
1BN | 2WH  
3BU | 4BK



1BN | 2WH | 3BU  
4BK | 5GY



Product line	Version	Cable quality	Pins	
AL_M8x1⊙	f   ↑	PUR   S370®	3	
			4	
			5	
		PVC   P00	3	
			4	
	f   →	PUR   S370®	3	
			4	
			5	
		PVC   P00	3	
			4	
	m   ↑	PUR   S370®	3	
			4	
			5	
			PVC   P00	3
				4
PUR   S370®		3		
		4		
		5		
		PVC   P01®	3	
			4	
m   →		PUR   S370®	3	
			4	
			5	
			PVC   P00	3
				4
	PVC   P01®	3		
		4		
		5		
		PVC   P01®	3	
			4	



### AUTOMATION LINE® M8x1 shielded ⊙

Technical data	Pins	Value
Rated voltage [U <sub>max</sub> ]	3	60V
Current load [I <sub>max</sub> ]	4, 5	30V
	3, 4	4A
	5	3A
Insulation resistance		≥10 <sup>8</sup> Ω
Standards		IEC 61076-2-104
Materials	Grip	TPU, BK
	Contact carrier	TPU, BK
	Sealing ( <i>female</i> )	FPL /FKM
	Contacts	CuZn, gold-plated
	Locking mechanism	CuZn, nickel-plated
Ambient temperature		-30°C...+90°C
Degree of pollution		3
Protection class (installed)		IP67, IP69K
Mechanical life cycle		>100 mating cycles

Pinning	3 pins   <i>female</i>	3 pins   <i>male</i>	4 pins   <i>female</i>	4 pins   <i>male</i>	5 pins   <i>female</i>	5 pins   <i>male</i>
---------	------------------------	----------------------	------------------------	----------------------	------------------------	----------------------



1BN | 3BU | 4BK



1BN | 2WH | 3BU | 4BK



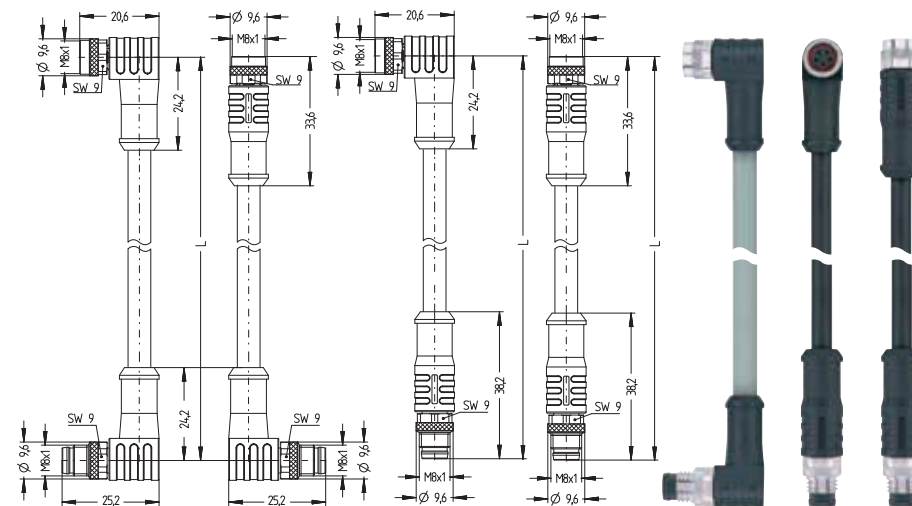
1BN | 2WH | 3BU | 4BK | 5GY







Product line	Version	Cable quality	Pins
AL_M8x1○	f   ↑__m   ↑	PUR   S370®	3
			4
	PVC   P00	3	
		4	
	PVC   P01®	3	
		4	
	f   ↑__m   ↖	PUR   S370®	3
			4
	PVC   P00	3	
		4	
PVC   P01®	3		
	4		
f   ↖__m   ↑	PUR   S370®	3	
		4	
PVC   P00	3		
	4		
PVC   P01®	3		
	4		
f   ↖__m   ↖	PUR   S370®	3	
		4	
PVC   P00	3		
	4		
PVC   P01®	3		
	4		



### AUTOMATION LINE® M8x1 cord sets double ended shielded ○

Technical data	Pins	Value
Rated voltage [U <sub>max</sub> ]	3	60V
	4, 5	30V
Current load [I <sub>max</sub> ]	3, 4	4A
	5	3A
Insulation resistance		≥10 <sup>8</sup> Ω
Standards		IEC 61076-2-104
Materials	Grip	TPU, BK
	Contact carrier	TPU, BK
	Sealing ( <i>female</i> )	FPL /FKM
	Contacts	CuZn, gold-plated
Locking mechanism	CuZn, nickel-plated	
Ambient temperature		-30°C...+90°C
Degree of pollution		3
Protection class (installed)		IP67, IP69K
Mechanical life cycle		>100 mating cycles

Pinning					
3 pins   <i>female</i>	3 pins   <i>male</i>	4 pins   <i>female</i>	4 pins   <i>male</i>	5 pins   <i>female</i>	5 pins   <i>male</i>
1BN   3BU   4BK		1BN   2WH   3BU   4BK		1BN   2WH   3BU   4BK   5GY	