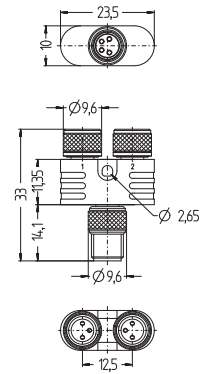




Type	Output 0	Output 1	Output 2
MB_M8x1	M8x1 <i>m</i> 4	M8x1 <i>f</i> 3	M8x1 <i>f</i> 3
MB_M8x1 LED	<i>m</i> 4	<i>f</i> 3	<i>f</i> 3



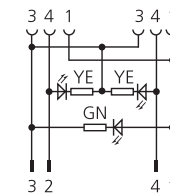
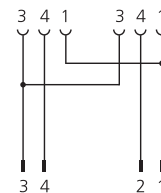
Splitter | Type MB_M8x1

Technical data	Pins	Value
Rated voltage [U _{max}]	3, 4	30V
	LED-version	24V _{DC}
Current load [I _{max}]	3, 4	4A
Insulation resistance		≥ 10 ⁸ Ω
Standards		IEC 61076-2-104
Materials	Grip	TPU, BU LED-version: TPU, transparent
	Contact carrier	TPU, BK
	Sealing	FPL /FKM
	Contacts	CuZn, gold-plated
	Locking mechanism	CuZn, nickel-plated
		(optional black-coated locking nut marking an output)
Ambient temperature		-30°C...+90°C
Degree of pollution		3
Protection class (installed)		IP67
Mechanical life cycle		>100 mating cycles

Pinning <i>male</i>	Pinning <i>female</i>
4 pins	3 pins



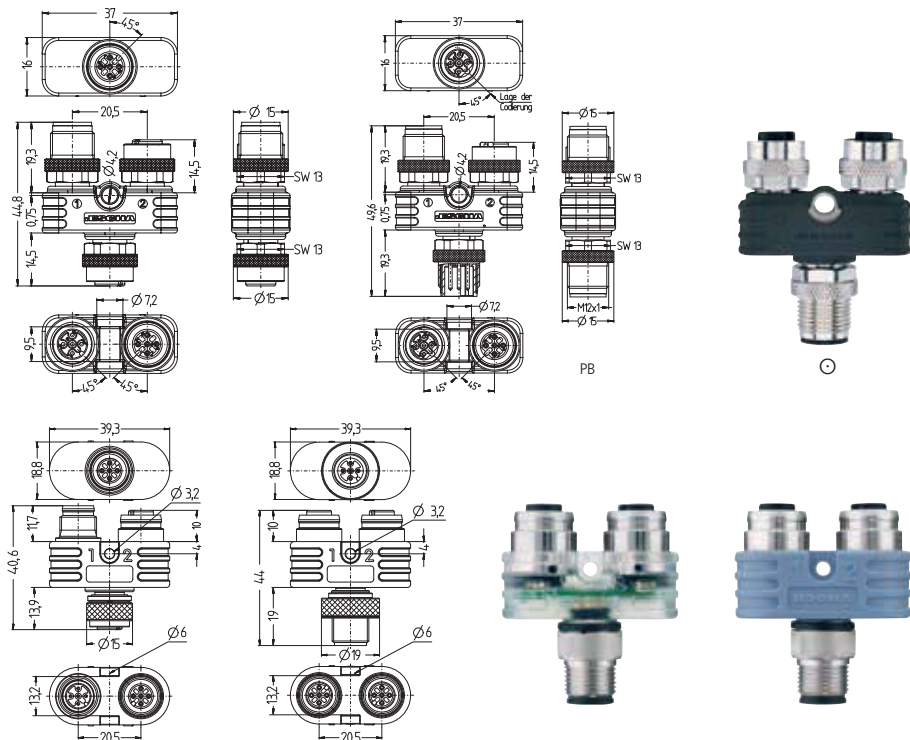
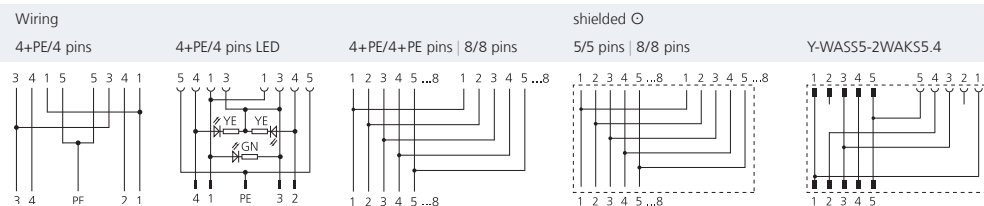
Wiring	4/3 pins LED
--------	--------------





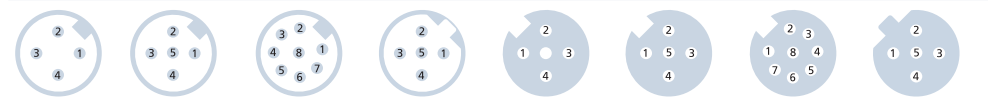
Type	Output 0	Output 1	Output 2
MB_M12x1	M12x1 <i>f</i> 4+PE	M12x1 <i>m</i> 4+PE	M12x1 <i>f</i> 4+PE
	<i>m</i> 4+PE	<i>m</i> 4+PE	<i>f</i> 4+PE
	<i>m</i> 8	<i>f</i> 8	<i>f</i> 8
	<i>m</i> 4+PE	<i>f</i> 4	<i>f</i> 4
MB_M12x1 LED	M12x1 <i>m</i> 4+PE	M12x1 <i>f</i> 4	M12x1 <i>f</i> 4
Y ○	M12x1 ○ <i>m</i> 5	M12x1 ○ <i>m</i> 5	M12x1 ○ <i>f</i> 5
	<i>f</i> 5	<i>m</i> 5	<i>m</i> 5
	<i>f</i> 5	<i>m</i> 5	<i>f</i> 5
	<i>m</i> 5	<i>f</i> 5	<i>f</i> 5
	<i>m</i> 5	<i>f</i> 5	<i>f</i> 5.4
	<i>m</i> 8	<i>f</i> 8	<i>f</i> 8
Y ○ PROFIBUS B-coded *	<i>m</i> 5B	<i>m</i> 5B	<i>f</i> 5B

*Wiring see page 144 | PROFIBUS



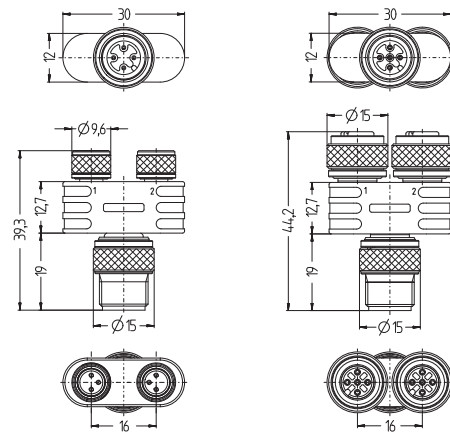
Splitter type MB_M12x1 | Y-splitter shielded ○

Technical data	Pins	Value					
Rated voltage [U _{max}]	4, 4+PE, 5	60V					
	8	30V					
	LED-version	24V _{DC}					
Current load [I _{max}]	4, 4+PE, 5	4A					
	8	2A					
Insulation resistance		≥10 ⁸ Ω					
Standards		IEC 61076-2-101					
Materials	Grip	TPU, BU LED-version: TPU, transparent ○ TPU, BK					
	Contact carrier	TPU, BK					
	Sealing	FPL /FKM					
	Contacts	CuZn, gold-plated					
	Locking mechanism	CuZn, nickel-plated					
Ambient temperature		-30°C...+90°C					
Degree of pollution		3					
Protection class (installed)		IP67					
Mechanical life cycle		>100 mating cycles					
Coding <i>male</i>		Coding <i>female</i>					
4 pins A	4 pins+PE A	8 pins A	5 pins B	4 pins A	4 pins+PE A	8 pins A	5 pins B





Type	Output 0	Output 1	Output 2
S55	M12x1 <i>m</i> 4+PE	M12x1 <i>f</i> 4	M12x1 <i>f</i> 4
	M12x1 <i>m</i> 4	M8x1 <i>f</i> 3	M8x1 <i>f</i> 3



Splitter | Type S55

Technical data

Rated voltage [U _{max}]	60V
Current load [I _{max}]	4A
Insulation resistance	≥10 ⁸ Ω
Standards	IEC 61076-2-101/-104
Materials	Grip: TPU, BU Contact carrier: TPU, BK Sealing: FPL /FKM Contacts: CuZn, gold-plated Locking mechanism: CuZn, nickel-plated
Ambient temperature	-30°C...+90°C
Degree of pollution	3
Protection class (installed)	IP67
Mechanical life cycle	>100 mating cycles

Pinning | *male*

M12x1 | 4 pins, A M12x1 | 4 pins+PE, A

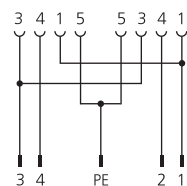
Pinning | *female*

M12x1 | 4 pins, A M8x1 | 3 pins

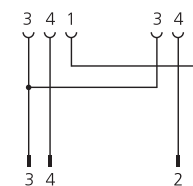


Wiring

4 pins+PE/4 pins

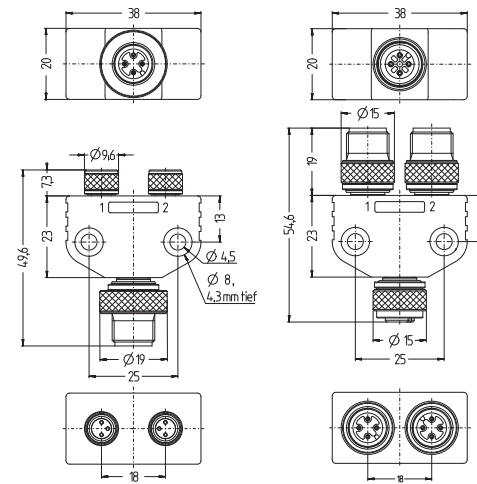


4/3 pins





Type	Output 0	Output 1	Output 2
S89	M12x1 <i>f</i> 4	M12x1 <i>m</i> 3	M12x1 <i>m</i> 3
	<i>m</i> 4	<i>f</i> 3	<i>f</i> 3
	<i>m</i> 4+PE	<i>f</i> 4	<i>f</i> 4
S89 LED	M12x1 <i>m</i> 4	M8x1 <i>f</i> 3	M8x1 <i>f</i> 3
	M12x1 <i>m</i> 4	M12x1 <i>f</i> 3	M12x1 <i>f</i> 3

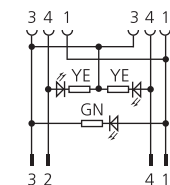
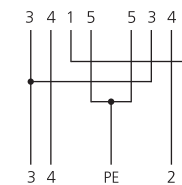
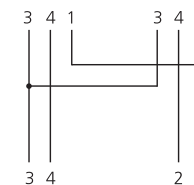


Splitter | Type S89

Technical data	Pins	Value				
Rated voltage [U _{max}]	M12x1 3, 4	250V				
	M12x1 4+PE	60V				
	M8x1 3	60V				
	LED-version	24V _{DC}				
Current load [I _{max}]		4A				
Insulation resistance		≥10 ⁸ Ω				
Standards		IEC 61076-2-101/-104				
Materials	Grip	TPU, BU LED-version: TPU, translucent				
	Contact carrier	TPU, BK				
	Sealing	FPL /FKM				
	Contacts	CuZn, gold-plated				
	Locking mechanism	CuZn, nickel-plated				
Ambient temperature		-30°C...+90°C				
Degree of pollution		3				
Protection class (installed)		IP67				
Mechanical life cycle		>100 mating cycles				
Pinning <i>male</i>	M12x1 3 pins, A	M12x1 4 pins, A	M12x1 4 pins+PE, A	M12x1 3 pins, A	M12x1 4 pins, A	M8x1 3 pins
	Pinning <i>female</i>					



Wiring	4/3 pins	4 pins+PE/4 pins	4/3 pins LED
--------	----------	------------------	--------------

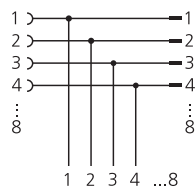




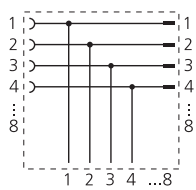
Type	Output 1	Output 2	Output 3
T	M12x1 <i>f</i> 4	M12x1 <i>f</i> 4	M12x1 <i>m</i> 4
	<i>f</i> 4	<i>m</i> 4	<i>m</i> 4
	<i>f</i> 5	<i>f</i> 5	<i>m</i> 5
	<i>f</i> 5	<i>m</i> 5	<i>m</i> 5
	<i>f</i> 8	<i>f</i> 8	<i>m</i> 8
T ○	M12x1○ <i>f</i> 5	M12x1○ <i>f</i> 5	M12x1○ <i>m</i> 5
	<i>f</i> 5	<i>m</i> 5	<i>m</i> 5
	<i>f</i> 8	<i>f</i> 8	<i>m</i> 8
T ○ PROFIBUS B-coded	<i>f</i> 5B	<i>m</i> 5B	<i>m</i> 5B

Wiring

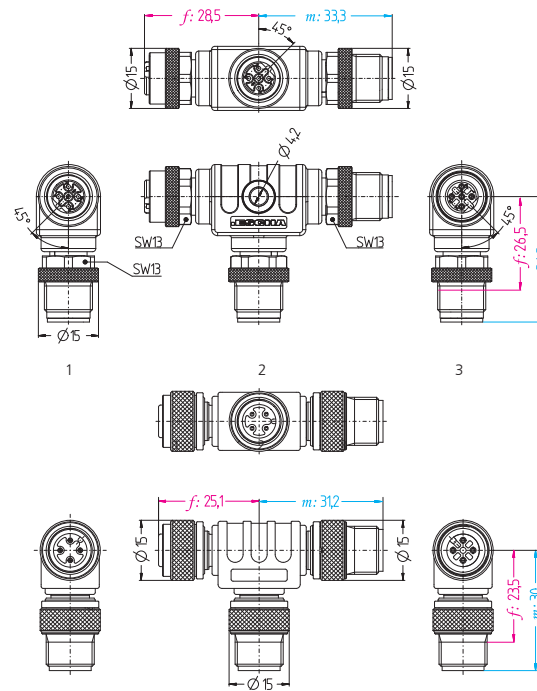
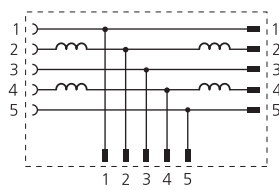
unshielded



shielded ○

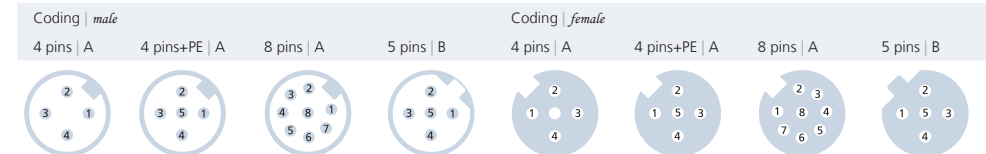


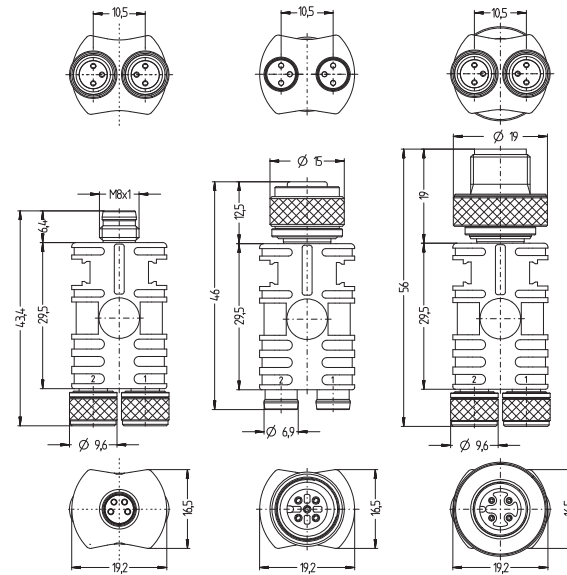
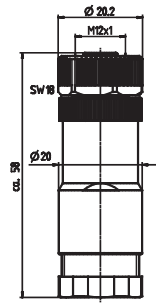
PROFIBUS ○



T-splitter | T-splitter shielded ○

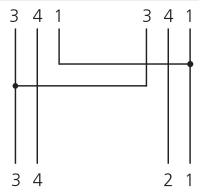
Technical data	Pins	Value
Rated voltage [U _{max}]	4	250V
	5	60V
	8	30V
Current load [I _{max}]	4, 5	4A
	8	2A
Insulation resistance		≥10 ⁸ Ω
Standards		IEC 61076-2-101
Materials	Grip	TPU, BU
	Contact carrier	TPU, BK
	Sealing	FPL /FKM
	Contacts	CuZn, gold-plated
	Locking mechanism	CuZn, nickel-plated
Ambient temperature		-30°C...+90°C
Degree of pollution		3
Protection class (installed)		IP67
Mechanical life cycle		>100 mating cycles





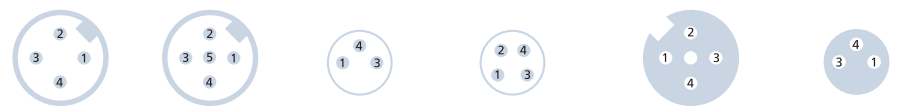
Type	Output 0	Output 1	Output 2
Y	M12x1 <i>f</i> 4	Ø8 snap <i>m</i> 3	Ø8 snap <i>m</i> 3
	M12x1 <i>m</i> 4	M8x1 <i>f</i> 3	M8x1 <i>f</i> 3
	Ø8 snap <i>m</i> 4	M8x1 <i>f</i> 3	M8x1 <i>f</i> 3
Y	M12x1 <i>m</i> 4	Screw-terminal	
	M12x1 <i>m</i> 5	Screw-terminal	

Wiring 4/3



Y-splitter

Technical data	Molded		Field-wireable	
	Pins	Value	Pins	Value
Rated voltage [U _{max}]	M12x1 M8x1	60V	4	125V
	Ø8 snap M8x1	30V	5	125V
Current load [I _{max}]	all	4A	4, 5	4A
Insulation resistance		≥10 ⁸ Ω		≥10 ⁸ Ω
Standards		IEC 61076-2-101/-104		IEC 61076-2-101
Materials	Grip	TPU, BU	Grip	PA, BK
	Contact carrier	TPU, BK	Contact carrier	PA, BK
	Sealing	FPL /FKM	Sealing	FPL /FKM
	Contacts	CuZn, gold-plated	Contacts	CuZn, CuSnZn
	Locking mechanism	CuZn, nickel-plated	Locking mechanism	GD-Zn, nickel-plated
Ambient temperature		-30°C...+90°C		-40°C...+85°C
Degree of pollution		3		3
Protection class (installed)		IP67		IP67
Mechanical life cycle		>100 mating cycles		>100 mating cycles
External diameter of the cable				3.5...5mm
Core cross-section/Clamping ability				max. 0.5mm ²
Pinning <i>male</i>		Pinning <i>female</i>		
M12x1 4 pins, A	M12x1 5 pins, A	M8x1 3 pins	M8x1 4 pins	M12x1 4 pins, A
				M8x1 3 pins

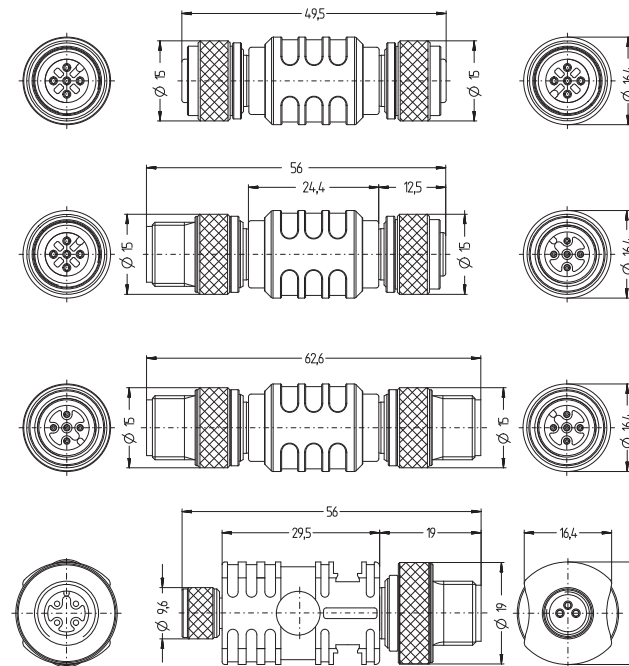


Splitter

Splitter



Adapter	Output 1	Output 2	Coding wiring
	M12x1 <i>f</i> 5	M12x1 <i>f</i> 5	A-A 1:1
	M12x1 <i>m</i> 5	M12x1 <i>m</i> 5	A-A 1:1
	M12x1 <i>f</i> 5	M12x1 <i>m</i> 5	A-A 1:1
	M12x1 <i>m</i> 3	M8x1 <i>f</i> 3	A 1:1
	M12x1 <i>m</i> 4	M8x1 <i>f</i> 4	A 1:1



Adapters

Technical data		Pins	Value		
Rated voltage [U _{max}]		M12x1 M8x1	60V		
		Ø8 snap M8x1	30V		
Current load [I _{max}]		all	4A		
Insulation resistance			≥10 ⁸ Ω		
Standards			IEC 61076-2-101/-104		
Materials	Grip		TPU, BU		
	Contact carrier		TPU, BK		
	Sealing		FPL /FKM		
	Contacts		CuZn, gold-plated		
	Locking mechanism		CuZn, nickel-plated		
Ambient temperature			-30°C...+90°C		
Degree of pollution			3		
Protection class (installed)			IP67		
Mechanical life cycle			>100 mating cycles		
Pinning <i>female</i>		Pinning <i>male</i>			
M12x1 5 pins, A	M8x1 3 pins	M8x1 4 pins	M12x1 5 pins, A	M8x1 3 pins	M8x1 4 pins

