

# For lower-energy lighting

Tufvassons has a wide range of transformers and over fifty years of manufacturing experience. We offer safe lighting transformers with low running costs, and help you to select the right one. If you need a product that is not available, we will ensure it is made.



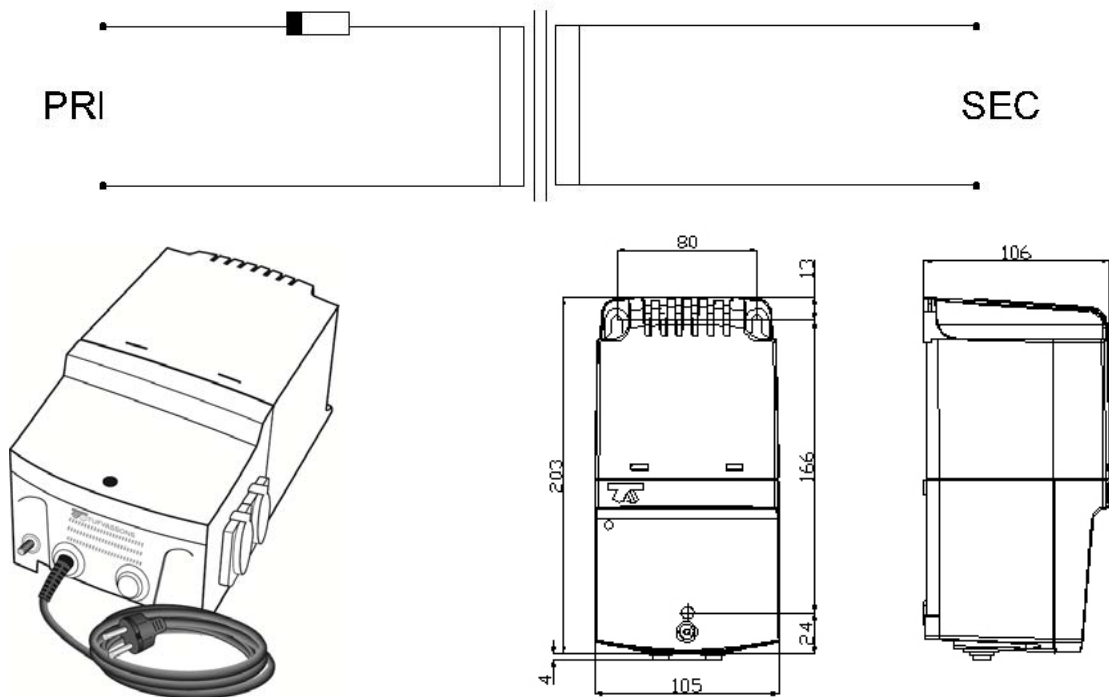
## The hand lamp transformer that maximises luminous efficiency

The transformer is appropriate for all kinds of low-voltage lighting, for 24V AC and provides optimum efficiency to the light source. It is easy to assemble (keyhole sockets) and connect – and thanks to the mains cable and the SELV socket, it is easy to connect the lighting in any environment. And of course, the product also has short-circuit and overload protection, and complies with the insurance companies' requirement for self-extinguishing plastic in the housing.

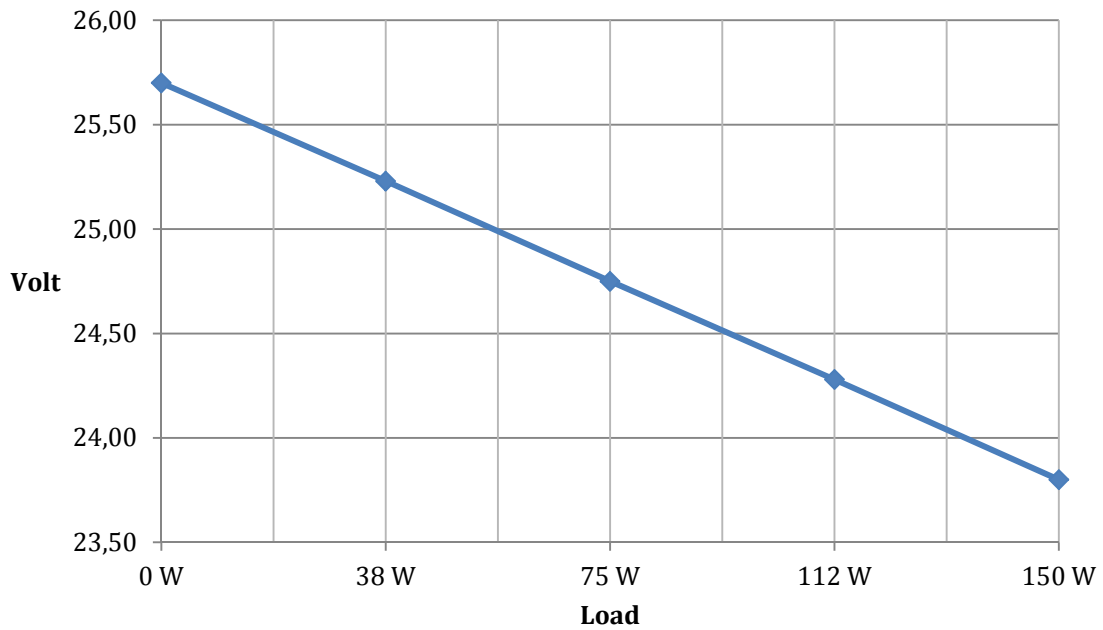
<b>Type:</b>	<b>HT 150</b>						
<b>Prod. no.:</b>	<b>6424-0012</b>						
<b>Input voltage:</b>	230V, 47-63 Hz; (N - L)						
<b>Output voltage:</b>	24V						
<b>Lamp power:</b>	max. 150 VA (6.25 A)						
<b>Weight:</b>	2.8 kg						
<b>IP rating:</b>	IP34						
<b>Insulation rating:</b>	4.2 kV						
<b>Ambient temperature:</b>	max. 35°C						
<b>Design:</b>	<ul style="list-style-type: none"> <li>- Transformer potted in hard-setting plastic, with grey encapsulation made from impact resistant, self extinguishing thermoplastics.</li> <li>- Doubly insulated (earth connection not required).</li> <li>- Primary fuse, resettable over-current protection 1.0A.</li> <li>- Primary 2 m mains cable with European mains plug. (A damaged cable or must only be replaced with a spare provided by the manufacturer.)</li> <li>- Secondary two-pole, two-way SELV socket.</li> </ul>						
<b>Assembly:</b>	Stand-alone or mounted with three screws. The upper 2 holes are keyhole sockets.						
<b>Manufacturing standard:</b>	<table> <tr> <td>Safety:</td> <td>EN 61 558-1; EN 61 558-2-9</td> </tr> <tr> <td>Emission</td> <td>EN 61 000-6-3; EN 61 000-6-4, IEC 62041</td> </tr> <tr> <td>Immunity</td> <td>EN 61 000-6-1; EN 61 000-6-2, IEC 62041</td> </tr> </table>	Safety:	EN 61 558-1; EN 61 558-2-9	Emission	EN 61 000-6-3; EN 61 000-6-4, IEC 62041	Immunity	EN 61 000-6-1; EN 61 000-6-2, IEC 62041
Safety:	EN 61 558-1; EN 61 558-2-9						
Emission	EN 61 000-6-3; EN 61 000-6-4, IEC 62041						
Immunity	EN 61 000-6-1; EN 61 000-6-2, IEC 62041						
<b>Miscellaneous:</b>	<p>Appropriate secondary plugs can be ordered separately.</p> <p>Approved for lighting in cramped spaces.</p>						



## Wiring diagram and product illustration



## Load chart



05/15



Tufvasson Tesch AB · Märstavägen 20 · SE- 193 40 Sigtuna · Phone +46 (0)8 594 809 00 · Fax +46 (0)8-592 52 768  
 E-mail [order@tufvassons.se](mailto:order@tufvassons.se) · [www.tufvassons.se](http://www.tufvassons.se)

A company in the ADDTECH group.