

Make secure safety device

Tufvassons has a wide range of transformers and over fifty years' experience of making them ourselves. We offer transformers for environments that set high requirements on insulation and safety, the energy sector for example. We help you to make the correct choice, and if you need a product that is not available, we ensure it is made.



Safe power supply for alarms

The transformer is used when there are greater demands on insulation and safety than normal. It is suitable for voltage feed in SELV and PELV installations such as monitoring systems, temperature control, lighting and alarms. It goes without saying that the transformer also has short circuit and overload protection, and also complies with the insurance companies' requirement for self-extinguishing plastic in the housing.

Type:	PFS 7S
Part. no.:	6109-0061
Input voltage:	230V, 50-60 Hz; (N - L)
Output voltage:	11,5 V (ac)
Rated power:	7,2 VA (0,6A)
Weight:	0,27 kg
Encapsulation class:	IP33
Insulation class:	4.2 kV
Ambient temperature:	max 40 °C
Design:	<ul style="list-style-type: none"> · Transformer in grey encapsulation made from impact resistant, self extinguishing thermoplastics V0. - Double insulated (earth connection not required). - Protected against overload and short circuit on secondary with PTC. - To reset the protecting device disconnect the mains for 10 seconds. - Primary plug fit to SCHUKO socket outlet (full profile). - Secondary outlet 2-pole AMP with locking device.
Mounting:	Plug in.
Manufacturing standard:	Security EN 61558-1; EN 61558-2-6
	Emissions: EN 61 000-6-3; EN 61 000-6-4, IEC 62041
	Immunity: EN 61 000-6-1; EN 61 000-6-2, IEC 62041



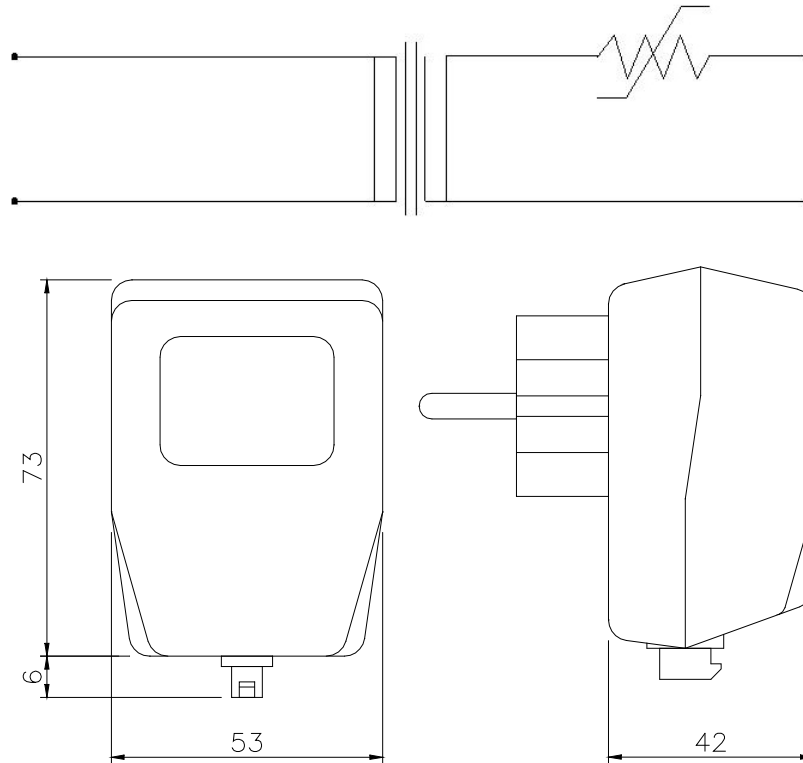
09/12



Tufvassons Transformator AB · Märstavägen 20 · 193 40 Sigtuna · Phone +46 (0) 8 594 809 00
Fax +46 (0) 8 592 527 68 · E-mail reception@tufvassons.se · www.tufvassons.se

A company in the ADDTECH group.

Wiring diagram and product illustration



Loading diagram

