

Secure safety solutions

Tufvassons has a wide range of transformers and over fifty years' experience of making them ourselves. We can guide you to the correct power supply for alarms, access systems, camera surveillance and locking equipment. If you need a product that is not available, we will ensure it is made.



Safe power supply for signalling devices

The transformer is adapted for the security field and has high resistance to short-term overloading. It is ideal for supplying power to signalling devices, e.g. alarm bells. Installation is simple with connection to a wall socket as well as connection of polarised connector. Just like other Tufvassons products, the transformer has short circuit and overload protection. It also complies with the insurance companies' requirement for self-extinguishing plastic in the housing.

Type:	PFLF 12S
Part. no.:	8512-0035
Input voltage:	230 V, 47-63 Hz; (N - L)
Output voltage:	12 V (dc) linear
Rated power:	12 VA (1A)
Weight:	0.5 kg
Encapsulation class:	IP33
Insulation class:	4.2 kV
Ambient temperature:	max. 40 °C.
Design:	<ul style="list-style-type: none"> - Transformer in grey encapsulation made from impact resistant, self extinguishing thermoplastics. - Double insulated (earth connection not required). - Short circuit and overload protection with PTC device. To reset tripped current protection, disconnect mains voltage for 10 seconds. - A filter condenser of 2,200 µF restricts the interference voltage. - Primary mains plug with full profile for correct connection. - Secondary outlet 2-pole AMP with locking device.
Mounting:	Install in any position.
Manufacturing standard:	LVD: EN 61 558-1; EN 61 558-2-6 EMC: IEC 61204-3
Other information:	NB. not intended for charging accumulators. Cable for secondary ordered separately. Before connecting ensure that the correct polarity is set.



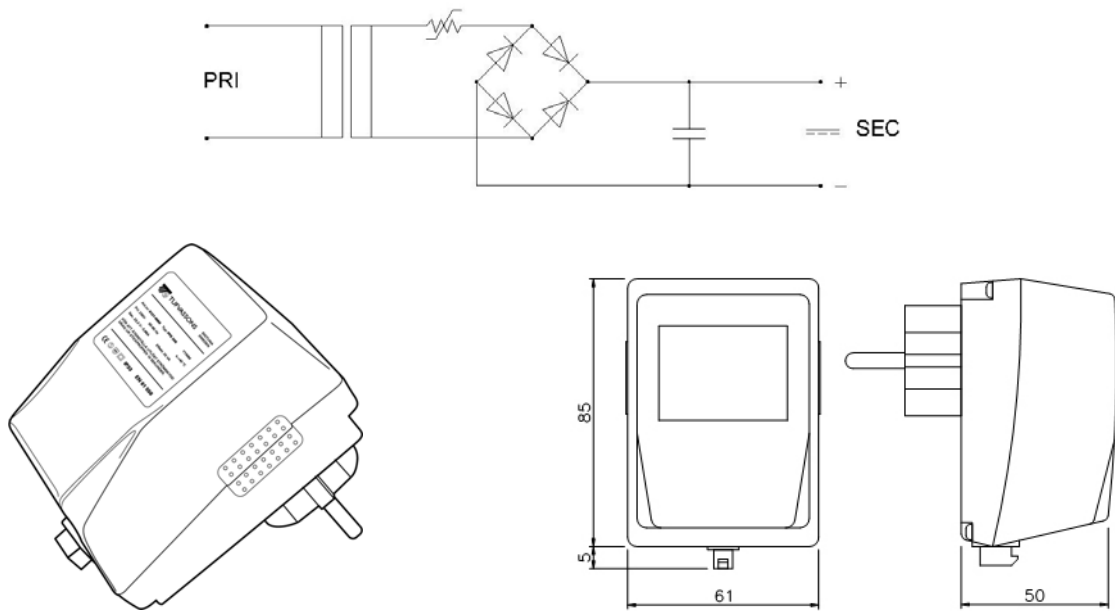
01/13



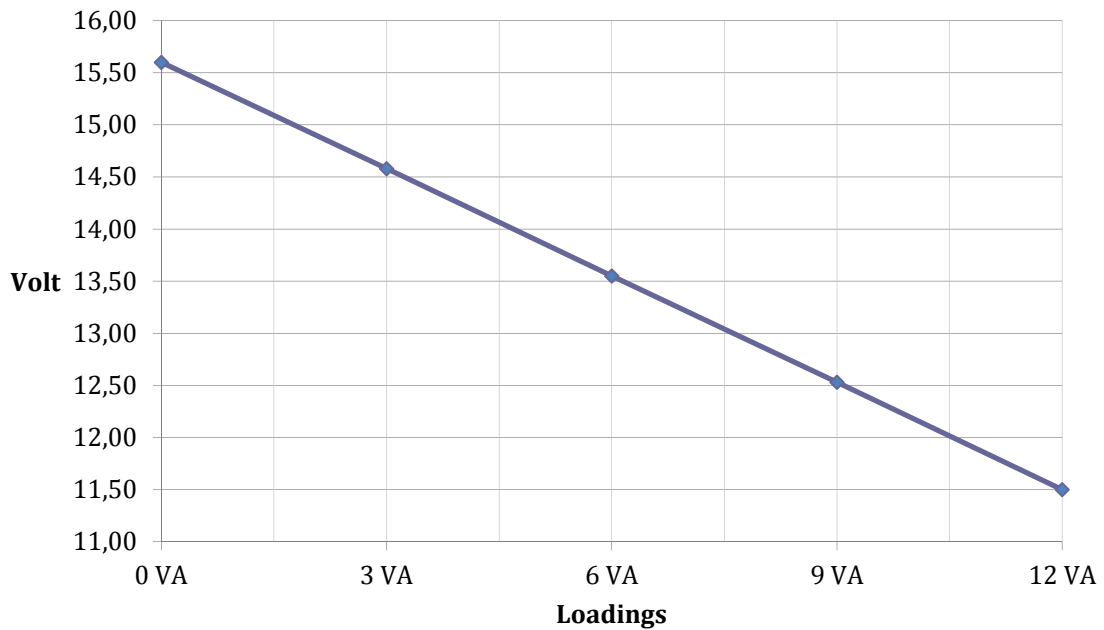
Tufvassons Transformator AB · Märstavägen 20 · SE 193 40 Sigtuna · Phone +46 (0) 8 594 809 00
 Fax +46 (0) 8 592 527 68 · E-mail reception@tufvassons.se · www.tufvassons.se

A company in the ADDTECH group.

Wiring schedule and product illustration



Loading diagram



01/13



Tufvassons Transformator AB · Märstavägen 20 · SE 193 40 Sigtuna · Phone +46 (0) 8 594 809 00
 Fax +46 (0) 8 592 527 68 · E-mail reception@tufvassons.se · www.tufvassons.se

A company in the ADDTECH group.