

Secure safety solutions

Tufvassons has a wide range of transformers and over fifty years' experience of making them ourselves. We can guide you to the correct power supply for alarms, access systems, camera surveillance and locking equipment. If you need a product that is not available, we will ensure it is made.



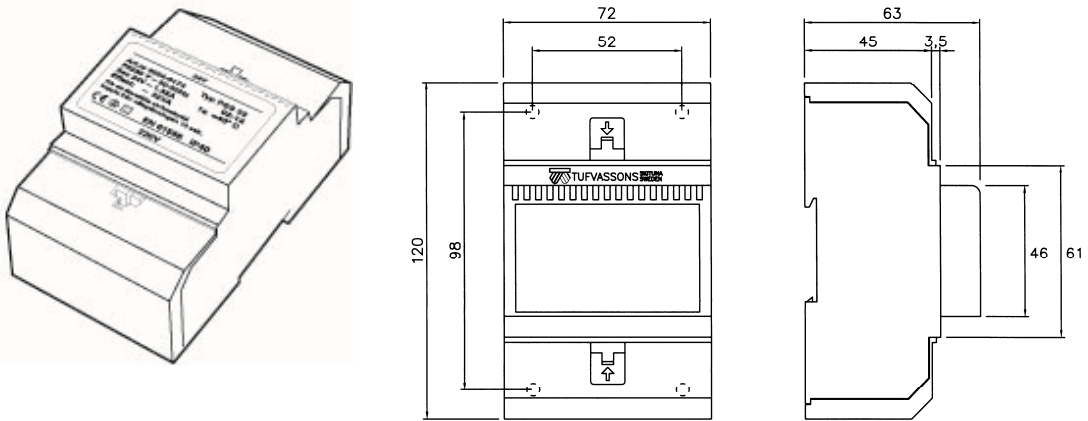
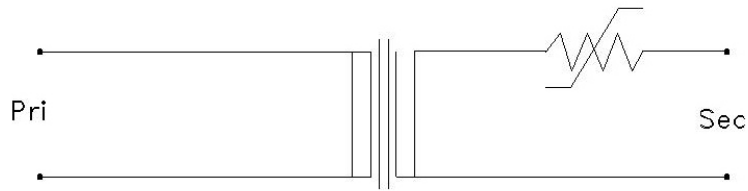
Safe power supply for alarms

The transformer is used when there are greater demands on isolation and safety than normal. It is suitable for voltage feed in SELV and PELV installations such as monitoring systems, temperature control and alarms. Naturally the transformer also has short-circuit and overload protection, as well as complying with the insurance companies' requirement for self-extinguishing plastic in the housing.

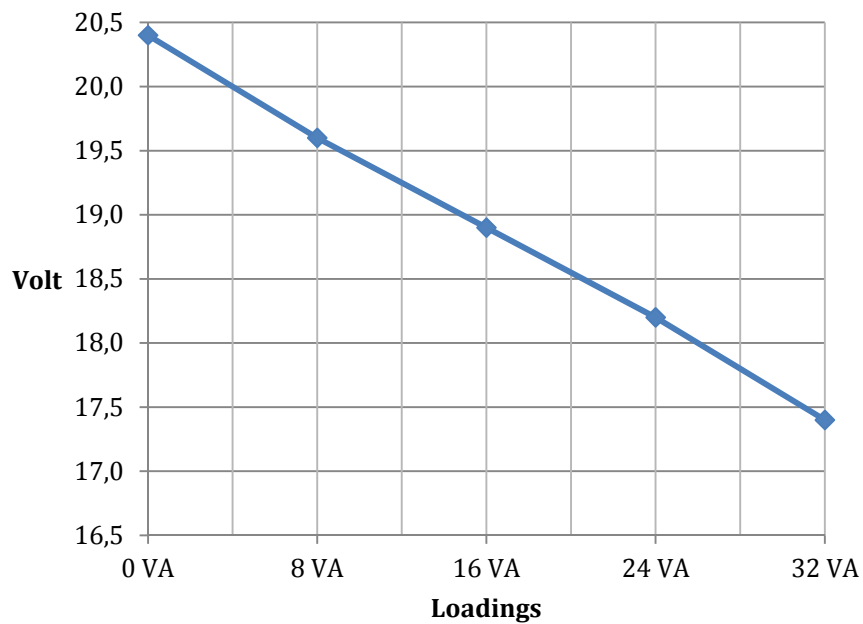
Type:	PSS 32
Part. no.:	6018-0013
Input voltage:	230V, 50-60 Hz; (N - L)
Output voltage:	17 V
Rated power:	32 VA (1.9A)
Weight:	0,8 kg
Encapsulation class:	IP40
Insulation class:	4.2 kV
Ambient temperature:	max 40 °C
Design:	<ul style="list-style-type: none"> · Transformer in grey encapsulation made from impact resistant, self extinguishing thermoplastics. - Double insulated (earth connection not required). - Protected against overload and short circuit on secondary with PTC. - To reset the protecting device disconnect the mains for 10 seconds. - Primary entry knock outs 8/12mm, 2-pole 4 mm² terminal. - Secondary entry knock outs 8/12mm, 2-pole 4 mm² terminal. - Max torque for the terminal block is 0.25 Nm.
Mounting:	Fast mounting on DIN-rail or wall mounting with 4 screws.
Manufacturing standard:	Security EN 61558-1; EN 61558-2-6 Emissions: EN 61 000-6-3; EN 61 000-6-4, IEC 62041 Immunity: EN 61 000-6-1; EN 61 000-6-2, IEC 62041
Other information:	If required for the installation in question, the transformer must be connected by an all-pole switch in permanent installations.



Wiring schedule and Product illustration



Loading diagram



Tufvasson Tesch AB · Märstavägen 20 · 193 40 Sigtuna · Phone +46 (0) 8 594 809 00
 Fax +46 (0) 8 592 527 68 · E-mail reception@tufvassons.se · www.tufvassons.se

A company in the ADDTECH group.