

Tailor-made for agriculture

Tufvassons have a wide range of transformers and over fifty years' experience of making them ourselves. One key area is development of transformers for agricultural applications, where we will be happy to advise about using the right transformer. If you need a product that is not available, we will ensure it is made.



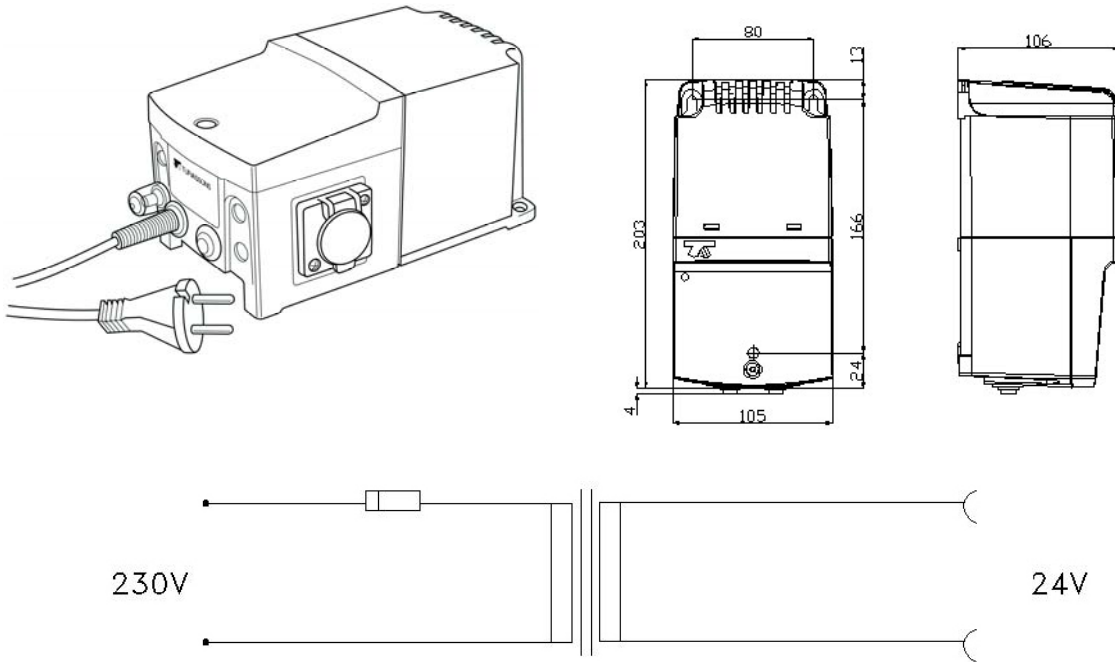
The correct transformer for water cups

This transformer has been developed and designed for water cups. It supplies the correct low voltage to the cups, 24 V, and thus guarantees the highest possible safety for both people and livestock. The product also has short-circuit and overload protection, and complies with the insurance companies' requirement for self-extinguishing plastic in the housing. Installation is easy: The transformer is connected to a normal wall socket and is connected to the water cup by a SELV plug.

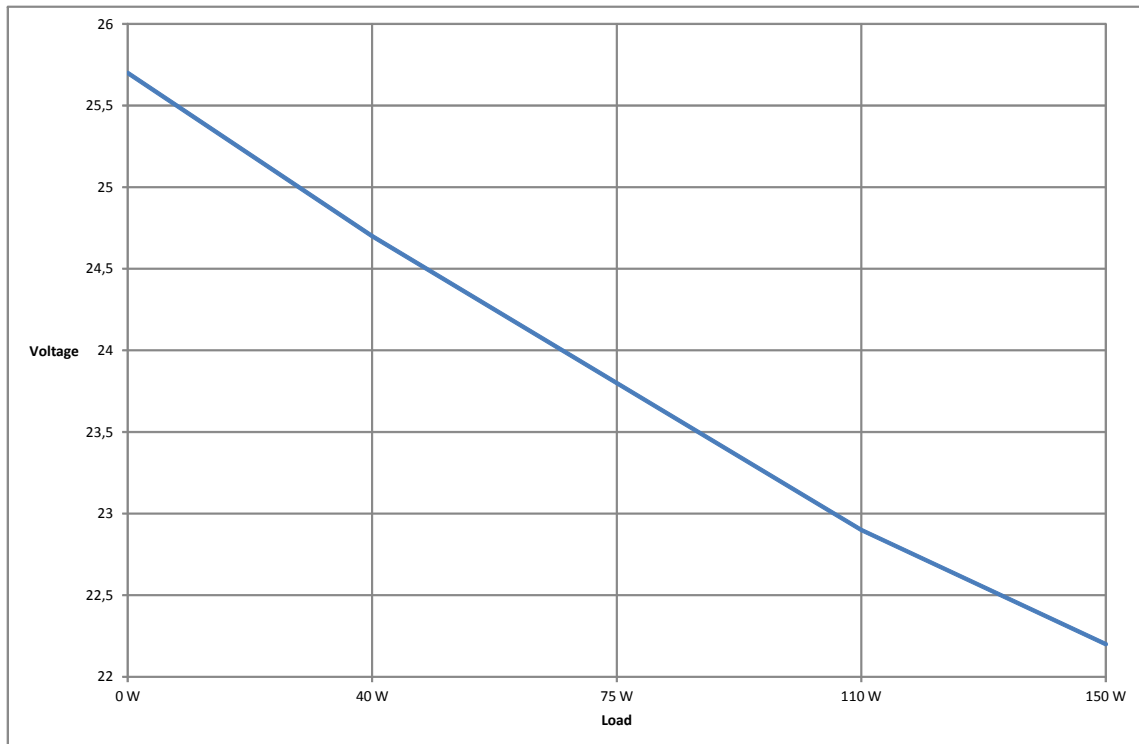
Type:	PFS 151						
Part.no.:	6124-0117						
Input voltage:	230V, 50-60 Hz.						
Output voltage:	24V						
Rated power:	150VA (6,2A) Heater max. 150W						
Weight:	2 kg						
Encapsulation class:	IP34						
Insulation class:	4.2 kV						
Ambient temperature:	max 25°C						
Design:	<ul style="list-style-type: none"> - Transformer potted in hard-setting plastic, with grey encapsulation made from impact resistant, self extinguishing thermoplastics (V0). - Double insulated (earth connection not required). - Short circuit and overload protection with resettable 1.0A primary overload circuit breaker. - Primary mains lead, 2 m with European (SCHUKO) plug. - Secondary 2-pole SELV outlet, installed on cover - The secondary plug is not included. 						
Mounting:	Free position or wall mounting with 3 screws. The two upper fixing holes are keyhole sockets.						
Manufacturing standard:	<table border="0"> <tr> <td>Security:</td> <td>EN 61558-1; EN 61558-2-6</td> </tr> <tr> <td>Emissions:</td> <td>EN 61 000-6-3; EN 61 000-6-4, IEC 62041</td> </tr> <tr> <td>Immunity:</td> <td>EN 61 000-6-1; EN 61 000-6-2, IEC 62041</td> </tr> </table>	Security:	EN 61558-1; EN 61558-2-6	Emissions:	EN 61 000-6-3; EN 61 000-6-4, IEC 62041	Immunity:	EN 61 000-6-1; EN 61 000-6-2, IEC 62041
Security:	EN 61558-1; EN 61558-2-6						
Emissions:	EN 61 000-6-3; EN 61 000-6-4, IEC 62041						
Immunity:	EN 61 000-6-1; EN 61 000-6-2, IEC 62041						



Wiring schedule and product illustration



Loading diagram



Tufvassons Transformator AB · Märstavägen 20 · 193 40 Sigtuna · Phone +46 (0) 8 594 809 00
 Fax +46 (0) 8 592 52 768 · E-mail reception@tufvassons.se · www.tufvassons.se

A company in the ADDTECH group.