

# Tailor-made for agriculture

Tufvassons have a wide range of transformers and over fifty years' experience of making them ourselves. One key area is development of transformers for agricultural applications, where we will be happy to advise about using the right transformer. If you need a product that is not available, we will ensure it is made.



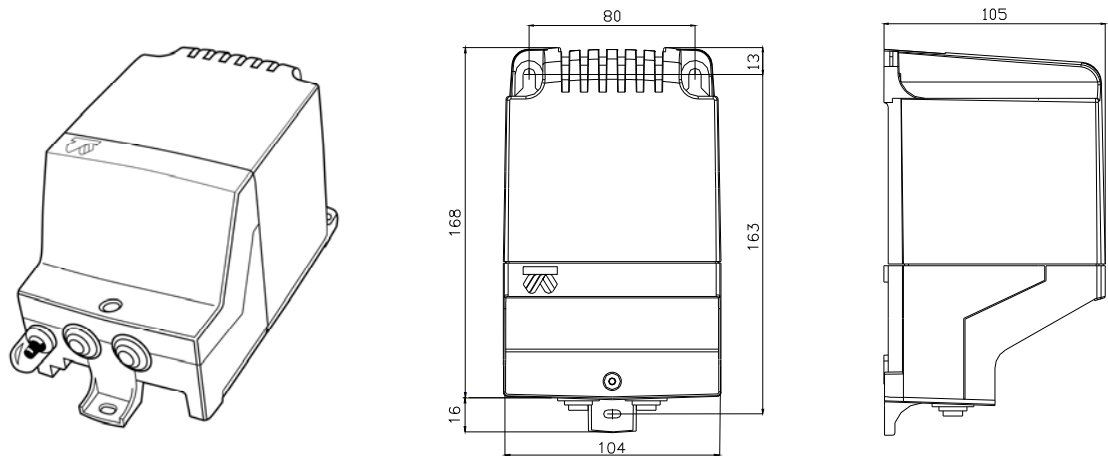
## Safe for both people and livestock

This transformer guarantees the highest possible level of safety for both people and livestock. This is particularly suitable when there are more stringent requirements than usual, for insulation between mains voltage and protective low voltage. Installation and connection are easy to do, and the transformer has both short circuit and overload protection. Just like all other Tufvassons' products, it complies with the insurance companies' requirement for self-extinguishing plastic in the housing. Installation must be done by an electrician with appropriate formal qualifications.

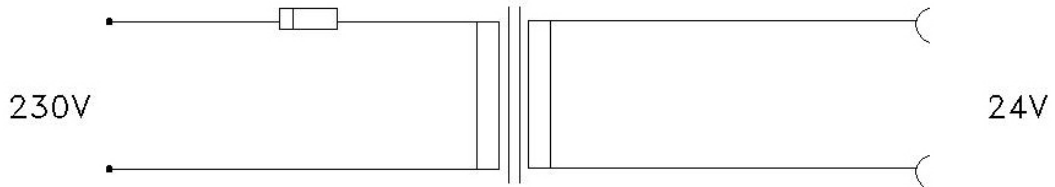
<b>Type:</b>	<b>PVS 222</b>
<b>Part.no.:</b>	<b>6024-0195</b>
<b>Input voltage:</b>	230V, 50-60 Hz.      N - L
<b>Output voltage:</b>	24V
<b>Rated power:</b>	220VA (9.2A)      Heater max. 200W
<b>Weight:</b>	3.2 kg
<b>Encapsulation class:</b>	IP54
<b>Insulation class:</b>	4.2 kV
<b>Ambient temperature:</b>	max 25°C
<b>Design:</b>	<ul style="list-style-type: none"> <li>- Transformer potted in hard-setting plastic, with grey encapsulation made from impact resistant, self extinguishing thermoplastics (V0).</li> <li>- Double insulated (earth connection not required).</li> <li>- Short circuit and overload protection with resettable 1.5A primary overload circuit breaker.</li> <li>- Primary and secondary 3-stage cable entry glands for up to 14 mm dia. cable.</li> <li>- Primary 2-pole terminal for up to 4 mm<sup>2</sup> cable, max torque 0.5 Nm.</li> <li>- Secondary 2-pole terminal for up to 4 mm<sup>2</sup> cable, max torque 0.5 Nm.</li> </ul>
<b>Mounting:</b>	Permanent installation, 3 screws, the upper 2 fixing holes are keyhole sockets.
<b>Manufacturing standard:</b>	Security:            EN 61558-1; EN 61558-2-6 Emissions:          EN 61 000-6-3; EN 61 000-6-4, IEC 62041 Immunity:            EN 61 000-6-1; EN 61 000-6-2, IEC 62041
<b>Other information:</b>	If demanded by the specific installation, the transformer must be connected by an all-pole switch in permanent installations.



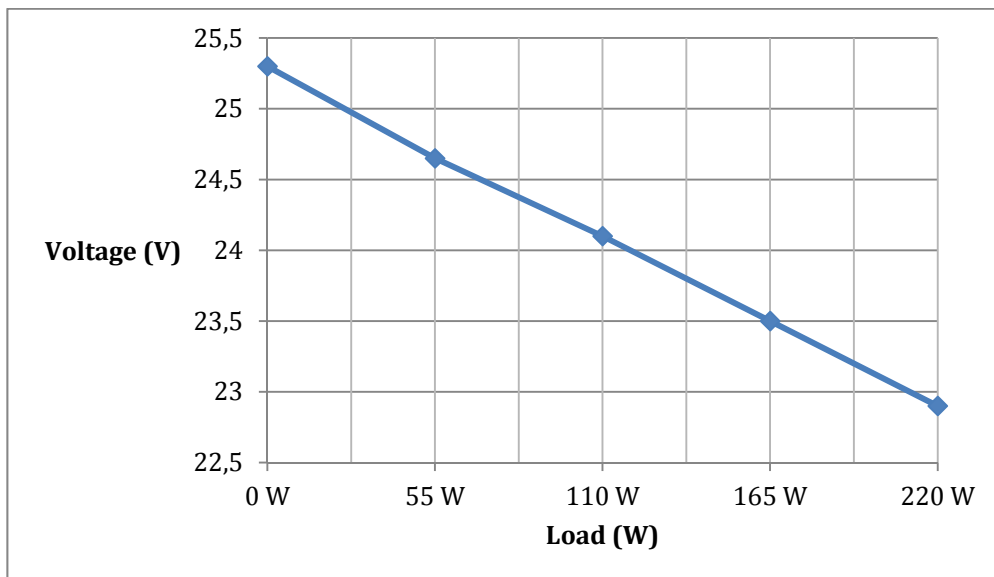
## Product illustration



## Wiring schedule



## Loading diagram



Tufvassons Transformator AB · Märstavägen 20 · 193 40 Sigtuna · Phone +46 (0) 8 594 809 00  
 Fax +46 (0) 8 592 52 768 · E-mail reception@tufvassons.se · www.tufvassons.se

A company in the ADDTECH group.