

For lower-energy lighting

Tufvassons have a wide range of transformers and over fifty years' experience of making them ourselves. We offer safe lighting transformers with low running costs, and help you to select the right one. If you need a product that is not available, we will ensure it is made.



The transformer that gives lamps longer life

The transformer is suitable for all kinds of low-voltage lighting, for 12 VAC for optimum efficiency in the light source. The light source will last longest if the recommendation for minimum loading is followed. The transformer is easy to install (keyhole socket) and to connect. The connection clamps are specially designed to fit tightly round the cable. And of course, the product also has short-circuit and overload protection, and complies with the insurance companies' requirement for self-extinguishing plastic in the housing.

Type:	PVS 120 A
Part.no.:	6009-0089
Input voltage:	230V, 50-60 Hz; (N - L)
Output voltage:	11.5V
Lamp power:	max. 120 W (10A), min. 35 W
Weight:	2.2 kg
Encapsulation class:	IP54
Insulation class:	4.2 kV
Ambient temperature:	max 40 °C (at 50 °C, the transformer can supply a load of max. 100VA)
Design:	<ul style="list-style-type: none"> - Transformer potted in hard-setting plastic, with grey encapsulation made from impact resistant, self extinguishing thermoplastics. - Double insulated (earth connection not required). - Primary, resettable over-current protection 0.7A. - Primary clamp connector for cable diameter max. 13 mm, 2-pole 4 mm² terminal. - Secondary clamp connector for cable diameter max. 13 mm, 2-pole 4 mm² terminal. - Max torque for the screw terminal is 0.5 Nm.
Mounting:	Mounting with 3 screws. The upper 2 holes are keyhole plates.
Manufacturing standard:	Security: EN 61 558-1; EN 61 558-2-6 Emissions: EN 61 000-6-3; EN 61 000-6-4, IEC 62041 Immunity: EN 61 000-6-1; EN 61 000-6-2, IEC 62041
Other information:	If demanded by the installation regulations, the transformer must be connected by an all-pole switch in permanent installations.



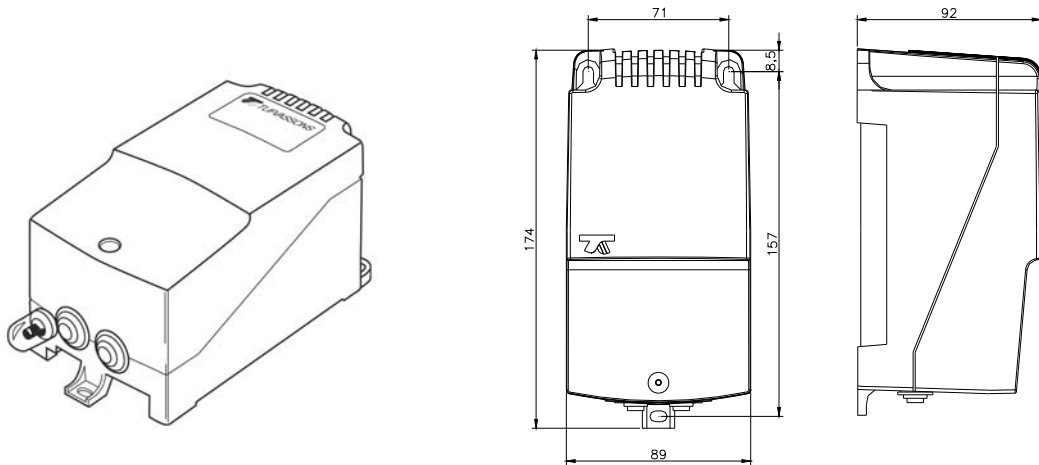
04/15



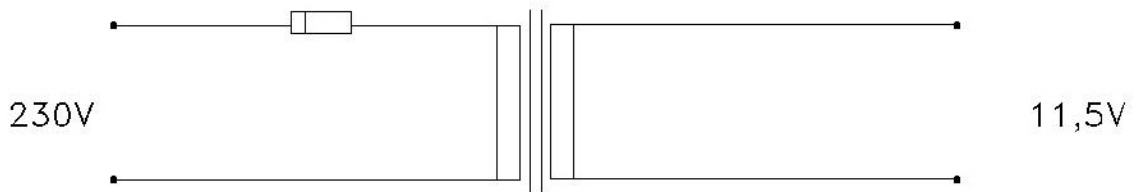
Tufvasson Tesch AB · Märstavägen 20 · SE- 193 40 Sigtuna · Phone +46 (0) 8 594 809 00
 Fax +46 (0) 8 592 527 68 · E-mail order@tufvassons.se · www.tufvassons.se

A company in the ADDTECH group.

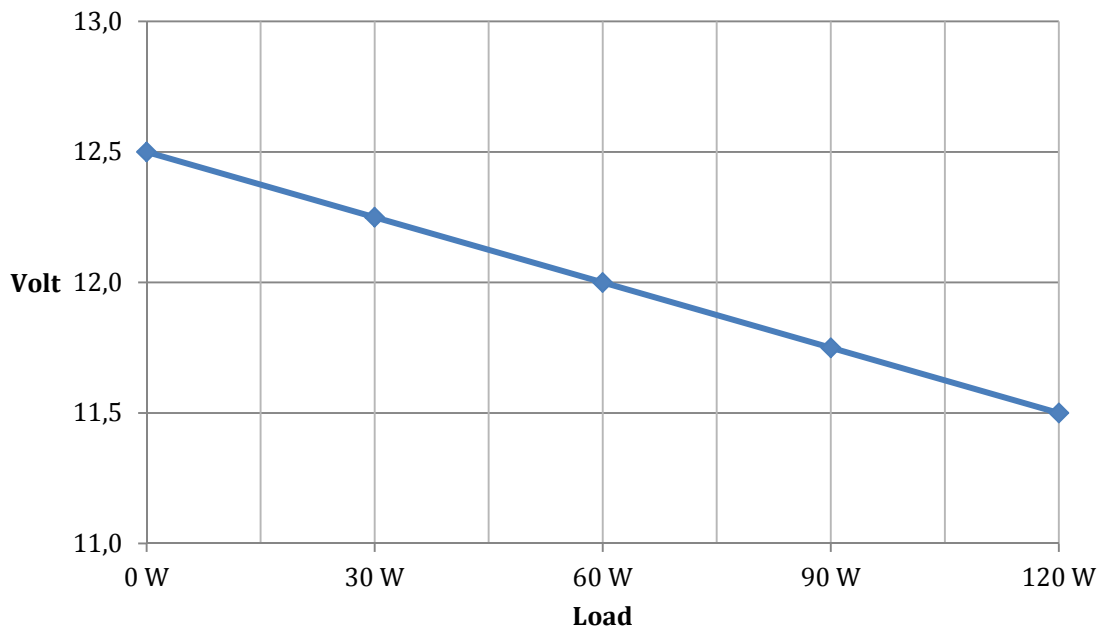
Product illustration



Wiring diagram



Loading diagram



04/15



Tufvasson Tesch AB · Märstavägen 20 · SE- 193 40 Sigtuna · Phone +46 (0) 8 594 809 00
 Fax +46 (0) 8 592 527 68 · E-mail order@tufvassons.se · www.tufvassons.se

A company in the ADDTECH group.