

# For lower-energy lighting

Tufvassons have a wide range of transformers and over fifty years' experience of making them ourselves. We offer safe lighting transformers with low running costs, and help you to select the right one. If you need a product that is not available, we will ensure it is made.



## Specially designed for parallel connected LED lamps.

This transformer is used for parallel-connected LED lamps. It gives the light sources optimum lighting efficiency, maximum service life, and is both easy to install and connect. The transformer is first plugged into a wall socket, and the lamps are then connected via a 2-pin DIN socket. Just like other Tufvassons' products, the transformer has short circuit and overload protection. It also complies with the insurance companies' requirement for self-extinguishing plastic in the housing.

<b>Type:</b>	<b>ELP 12</b>						
<b>Part.no.:</b>	<b>9712-0017</b>						
<b>Input voltage:</b>	230V, 50-60 Hz; (220 - 240)						
<b>Output voltage:</b>	12V						
<b>Lamp power:</b>	0-12 W (max. 1A)						
<b>Weight:</b>	60 gramme						
<b>Encapsulation class:</b>	IP20						
<b>Ambient temperature:</b>	max 45 °C						
<b>Power factor:</b>	≥ 0,8						
<b>Efficiency:</b>	≥ 78%						
<b>Design:</b>	<ul style="list-style-type: none"> <li>- Encapsulated in an impact resistant, self extinguishing thermoplastic housing with integral mains plug.</li> <li>- Double insulated (earth connection not required).</li> <li>- Secondary connection, DIN 41529 socket.</li> <li>- External dimensions L=75 W=40 H=23 mm.</li> </ul>						
<b>Mounting:</b>	Plugs into both earthed and un-earthed wall sockets.						
<b>Manufacturing standard:</b>	<table> <tr> <td>Security:</td> <td>EN 61347-1/-2-13</td> </tr> <tr> <td>Emissions:</td> <td>EN 55015; EN 61000-3-2; EN 61000-3-3</td> </tr> <tr> <td>Immunity:</td> <td>EN 61547</td> </tr> </table>	Security:	EN 61347-1/-2-13	Emissions:	EN 55015; EN 61000-3-2; EN 61000-3-3	Immunity:	EN 61547
Security:	EN 61347-1/-2-13						
Emissions:	EN 55015; EN 61000-3-2; EN 61000-3-3						
Immunity:	EN 61547						

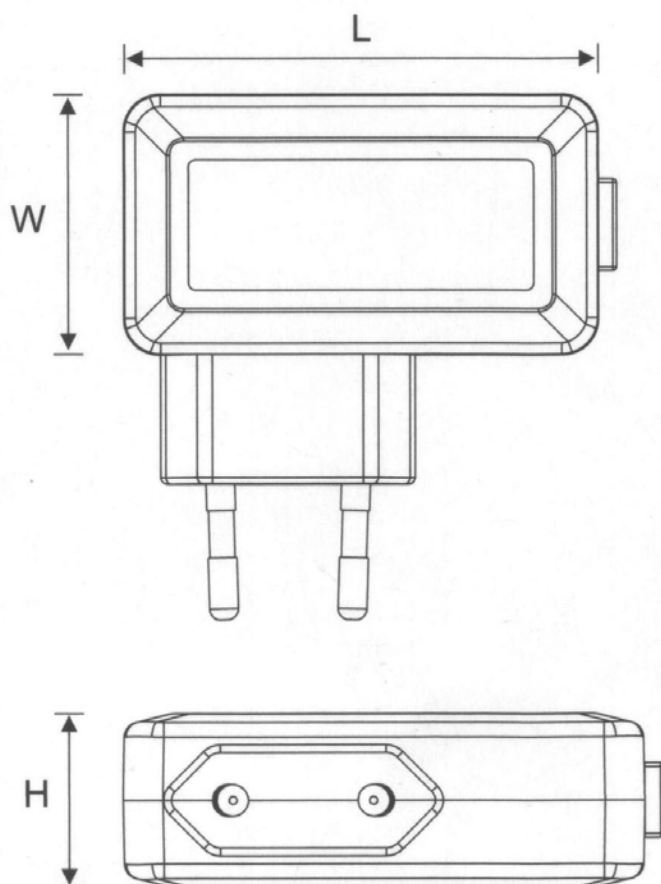


02/12

Tufvassons Transformator AB · Märstavägen 20 · 193 40 Sigtuna · Phone +46 (0) 8 594 809 00  
 Fax +46 (0) 8 592 527 68 · E-mail reception@tufvassons.se · www.tufvassons.se

A company in the ADDTECH group.

## Product illustration



02/12

Tufvassons Transformator AB · Märstavägen 20 · 193 40 Sigtuna · Phone +46 (0) 8 594 809 00  
Fax +46 (0) 8 592 527 68 · E-mail [reception@tufvassons.se](mailto:reception@tufvassons.se) · [www.tufvassons.se](http://www.tufvassons.se)

A company in the ADDTECH group.