

For lower-energy lighting

Tufvassons have a wide range of transformers and over fifty years' experience of making them ourselves. We offer safe lighting transformers with low running costs, and help you to select the right one. If you need a product that is not available, we will ensure it is made.



Electronic transformer for halogen lighting

The transformer is used for 12 Volt halogen light fittings. It gives the light source optimum lighting efficiency, maximum service life and is easy to connect. Installation is easy to do, not least because the product is small and light. Just like other Tufvasson's products, the transformer has short circuit and overload protection. It also complies with the insurance companies' requirement for self-extinguishing plastic in the housing.

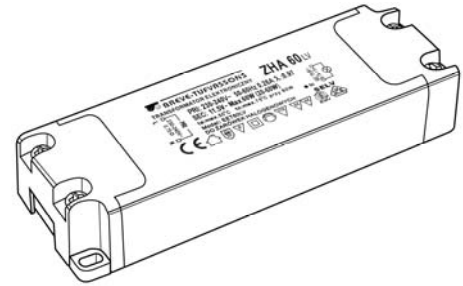
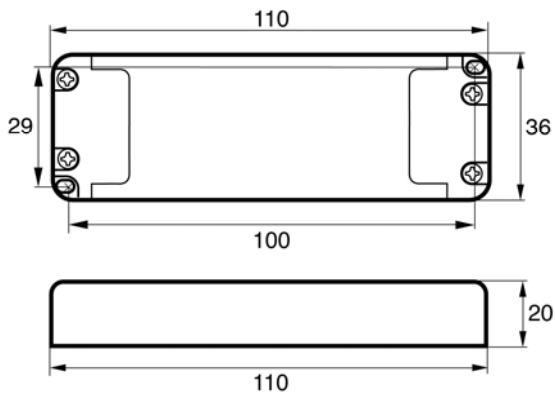
Type:	ZHA 60 LV						
Part.no.:	9712-0001						
Input voltage:	230V, 50-60 Hz; (N - L)						
Output voltage:	11.5V SELV						
Lamp power:	max. 60 W, min. 20 W						
Weight:	0.08 kg						
Encapsulation class:	IP20						
Cable length, secondary:	max. 2 m						
Ambient temperature:	max 50 °C						
Design:	<ul style="list-style-type: none"> - Light coloured, impact resistant, self-extinguishing thermoplastic housing (V0). - Double insulated (earth connection not required). - Primary connection, 2-pole 0.75 mm² terminals with strain relief. - Secondary connection, 2-pole 1.5 mm² terminals with strain relief. - Short circuit and overload protection. 						
Mounting:	2 screws, diagonally.						
Manufacturing standard:	<table> <tr> <td>Security:</td> <td>EN 61,347</td> </tr> <tr> <td>Emissions:</td> <td>EN 61 000-3-2; EN 61 000-3-3, EN 55015</td> </tr> <tr> <td>Immunity:</td> <td>EN 61 547</td> </tr> </table>	Security:	EN 61,347	Emissions:	EN 61 000-3-2; EN 61 000-3-3, EN 55015	Immunity:	EN 61 547
Security:	EN 61,347						
Emissions:	EN 61 000-3-2; EN 61 000-3-3, EN 55015						
Immunity:	EN 61 547						



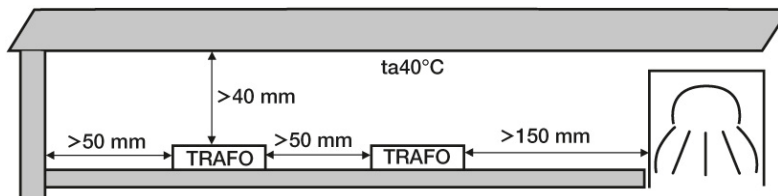
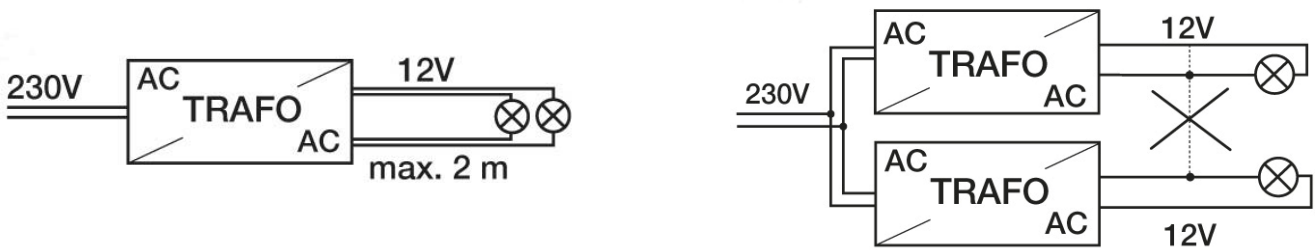
Tufvassons Transformator AB · Märstavägen 20 · 193 40 Sigtuna · Phone +46 (0) 8 594 809 00
 Fax +46 (0) 8 592 527 68 · E-mail reception@tufvassons.se · www.tufvassons.se

A company in the ADDTECH group.

Product illustration



Wiring diagram



SELV
EQUIVALENT

11/11



Tufvassons Transformator AB · Märstavägen 20 · 193 40 Sigtuna · Phone +46 (0) 8 594 809 00
Fax +46 (0) 8 592 527 68 · E-mail reception@tufvassons.se · www.tufvassons.se

A company in the ADDTECH group.